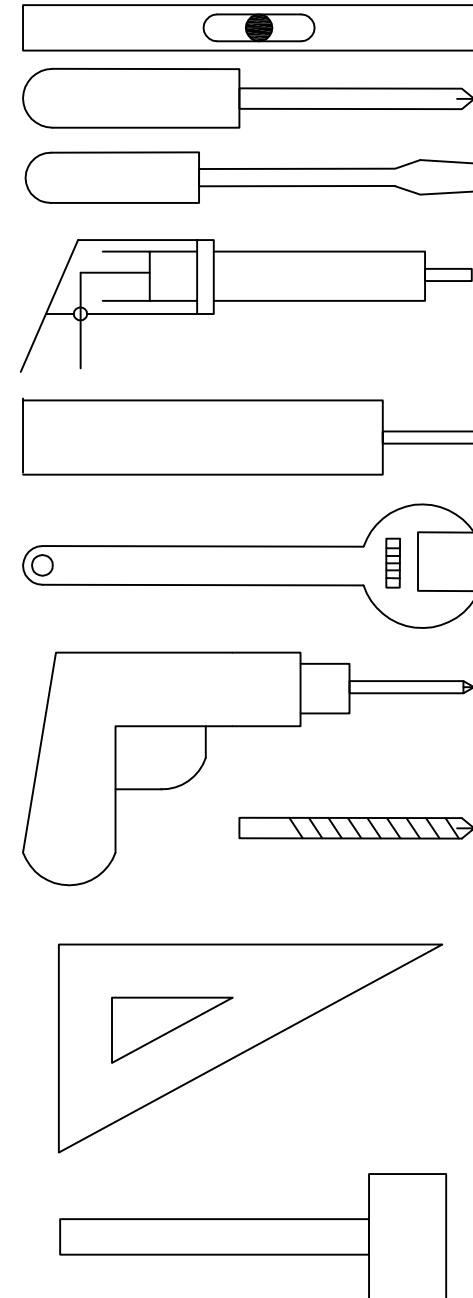
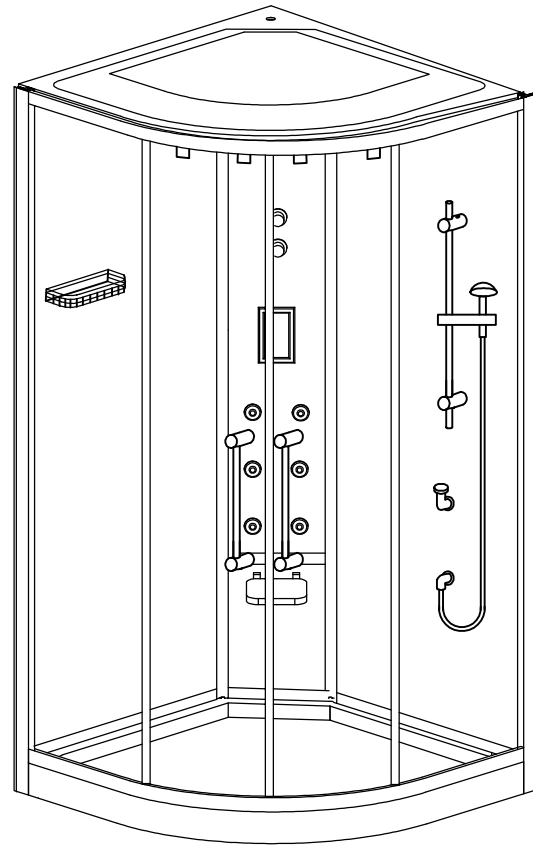
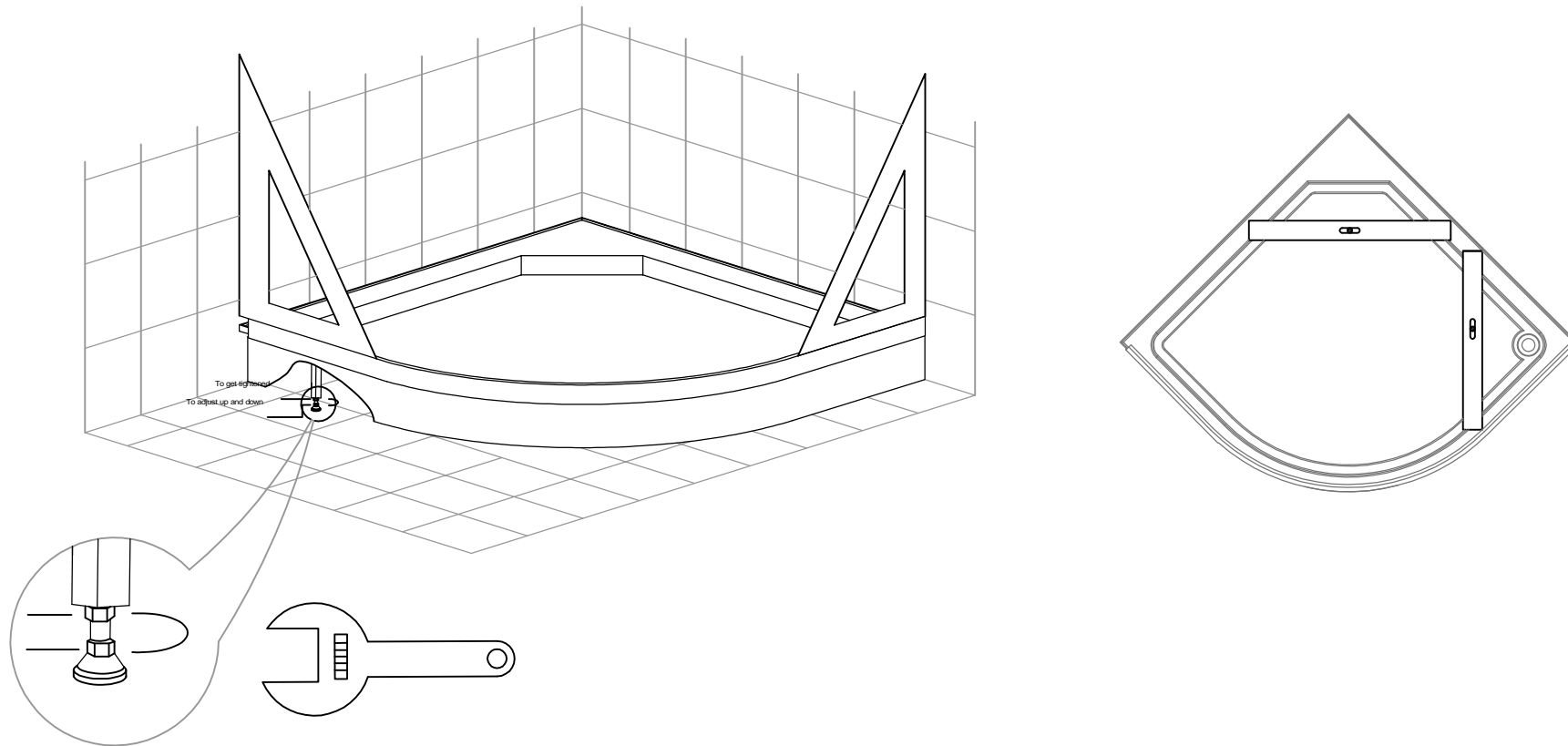


Installation Instruction
(WS\WR101,102,103,105)

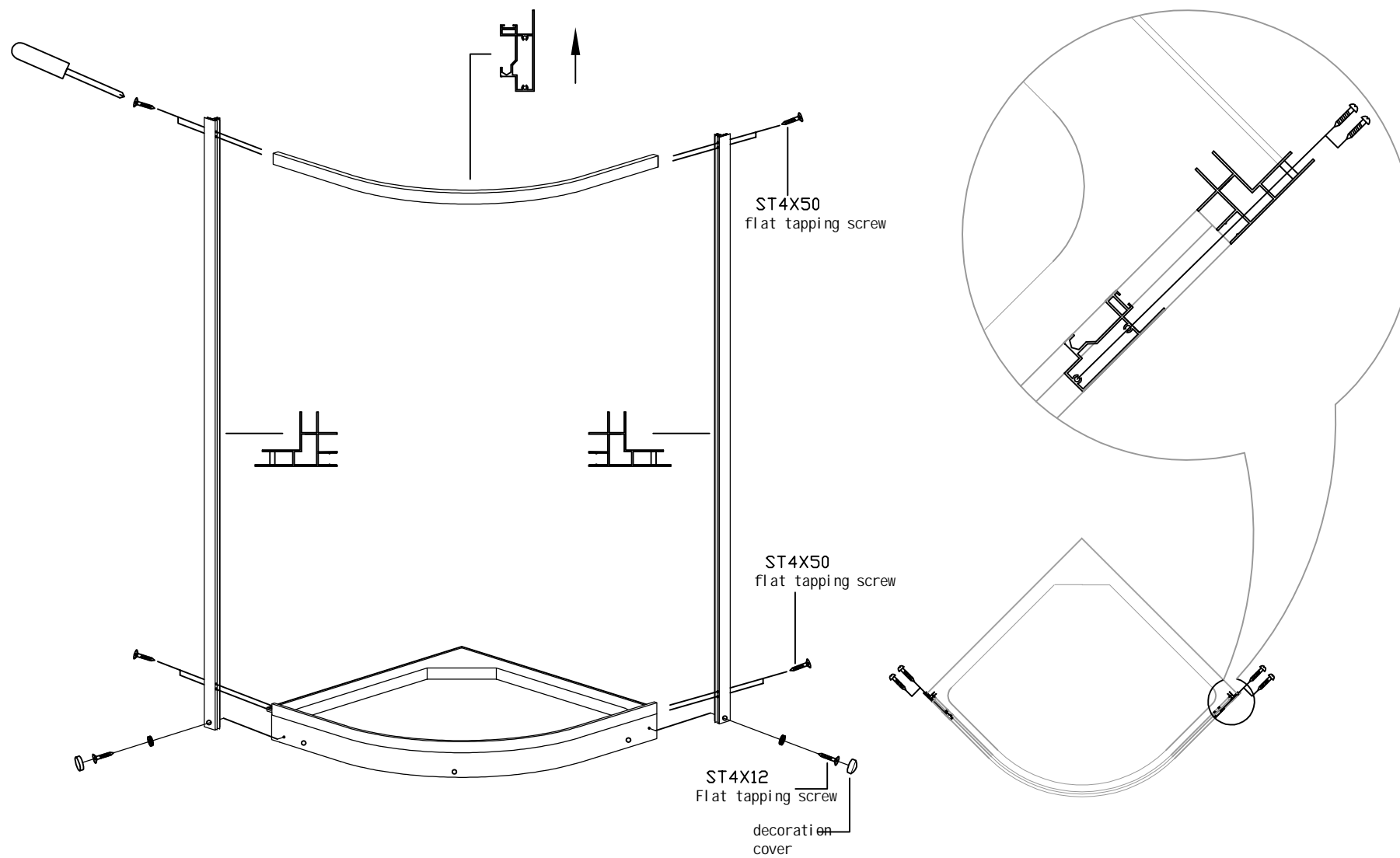


1.Tools:1.Gradienter、 2.Screwdriver、 3.Silicone Gun、 4.Silicone、
5.Spanner、 6.Electric drill、 7.φ9 Aiguille 、 8.Triangle rule、 9.Hammer



2. Adjust the shower tray:

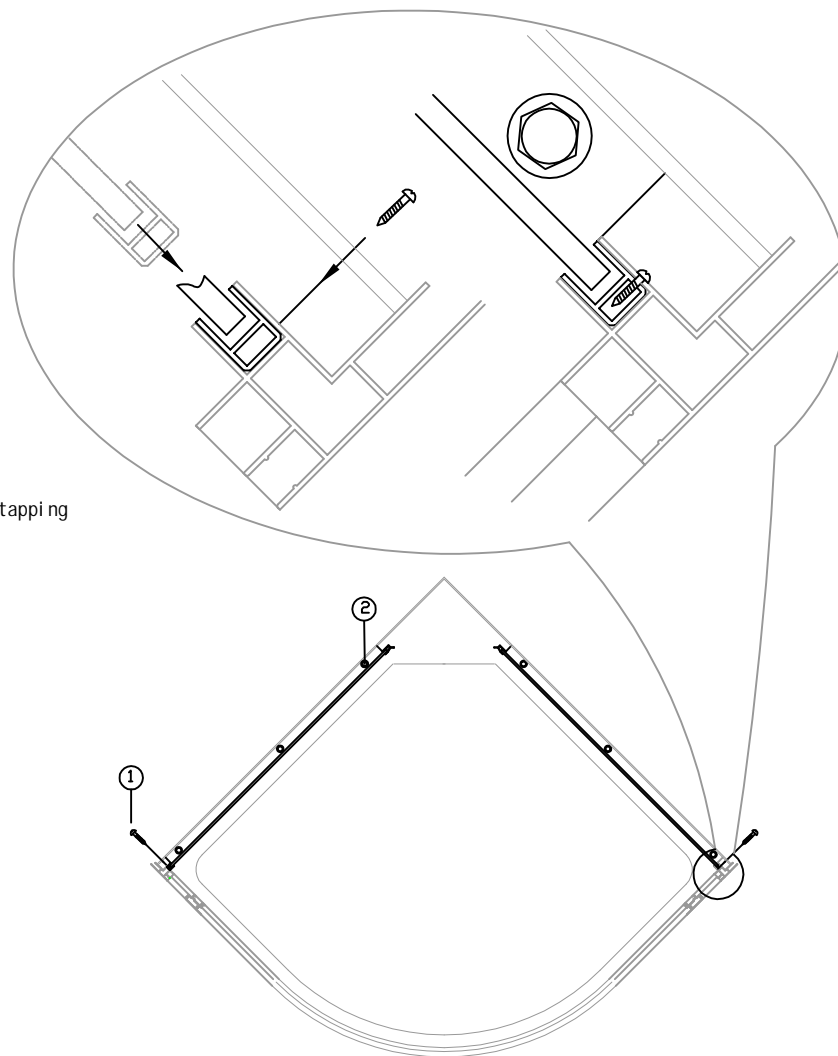
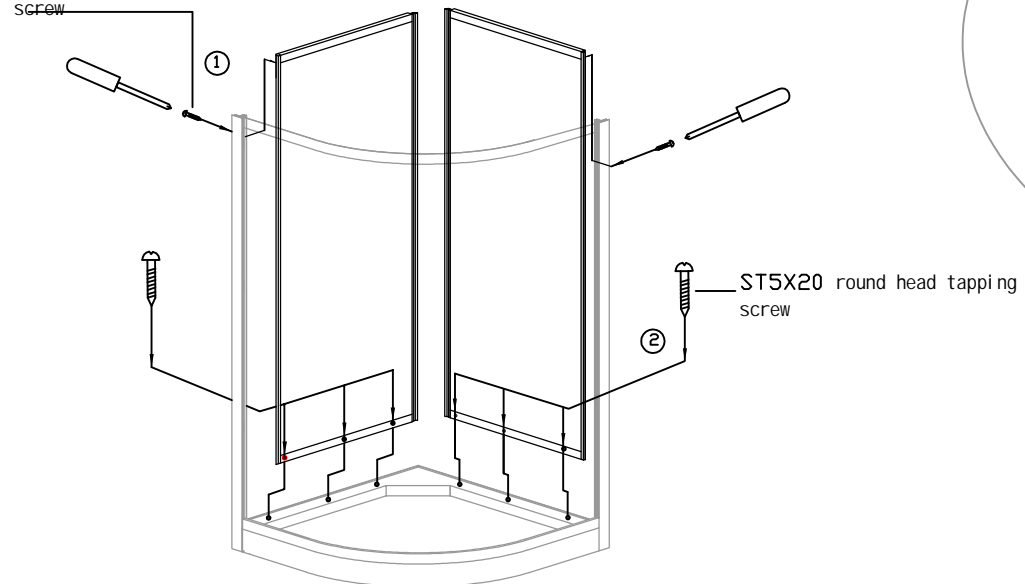
Adjust the shower tray to make sure the upper surface of the track is vertical with the wall. The upper side of the shower tray shall be level and all the legs shall reach the floor.



3. Install the door frame

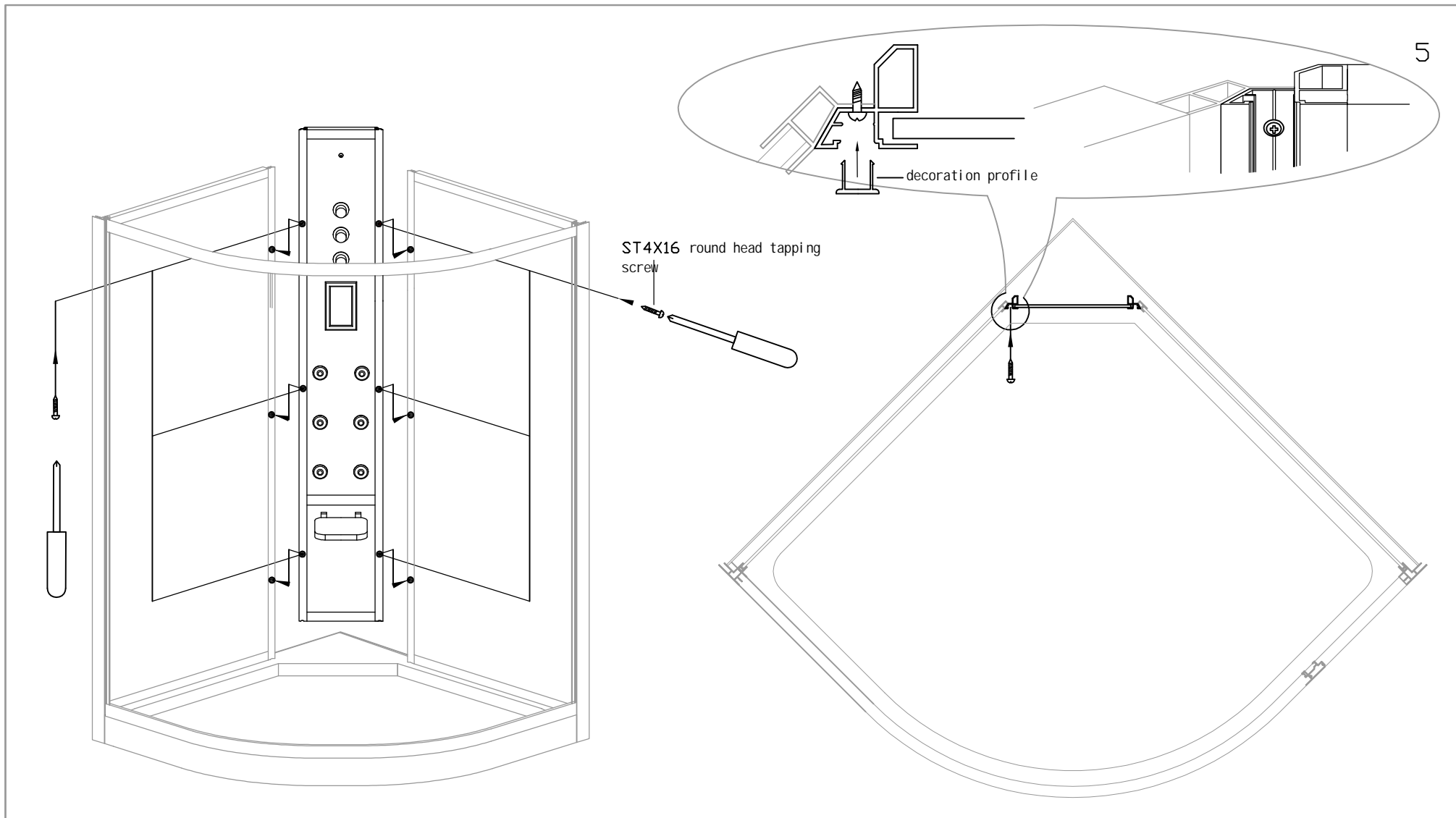
- ① Get the door frame connected to the shower tray.
- ② Get the door frame aluminum profile connected to the upper track.

ST4X15 round head tapping
screw



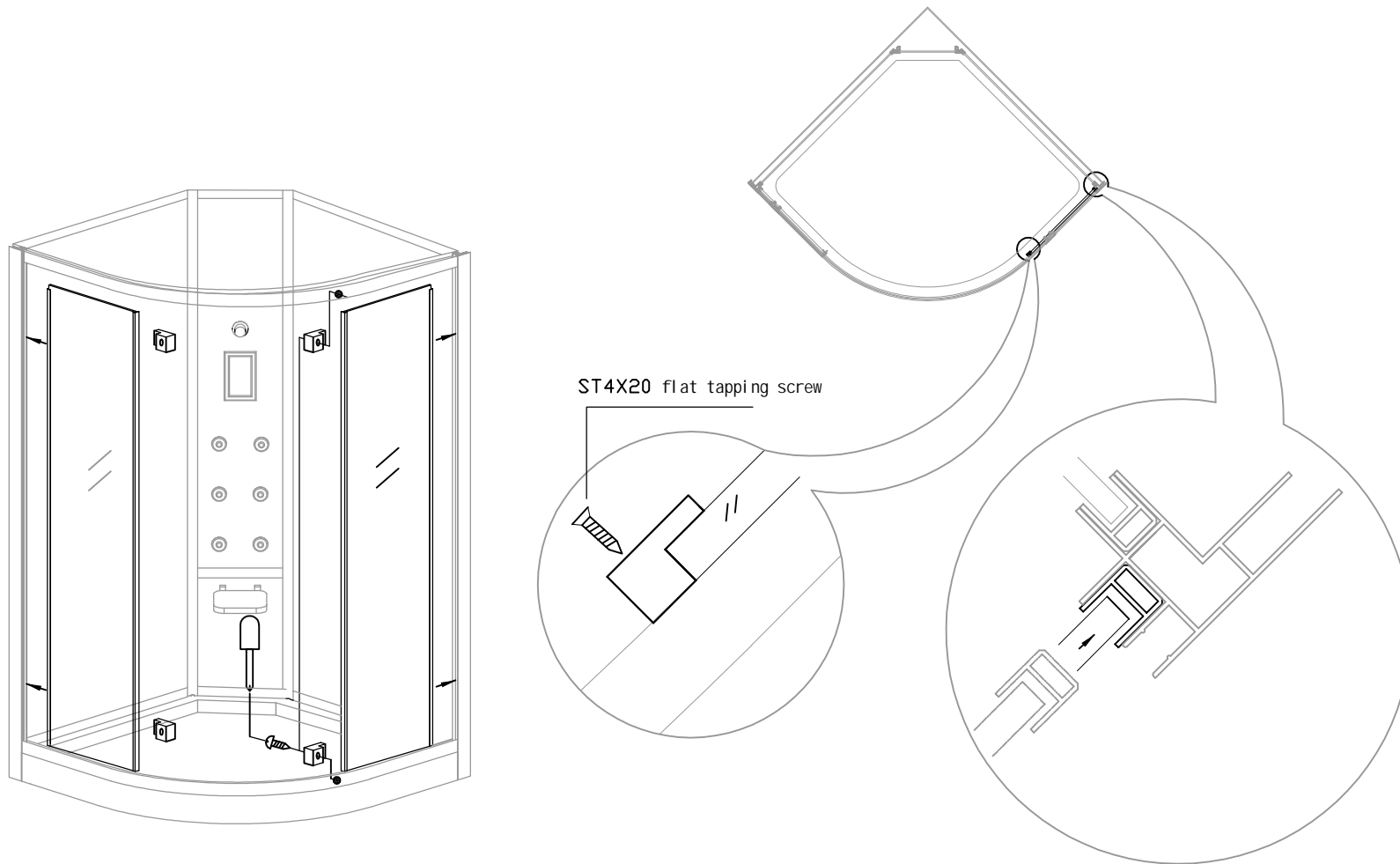
4. Install side back wall to the cabin

- ① Insert the glass wall into the door frame and get it fixed with tapping screws.
- ② Fix the glass wall onto the shower tray.



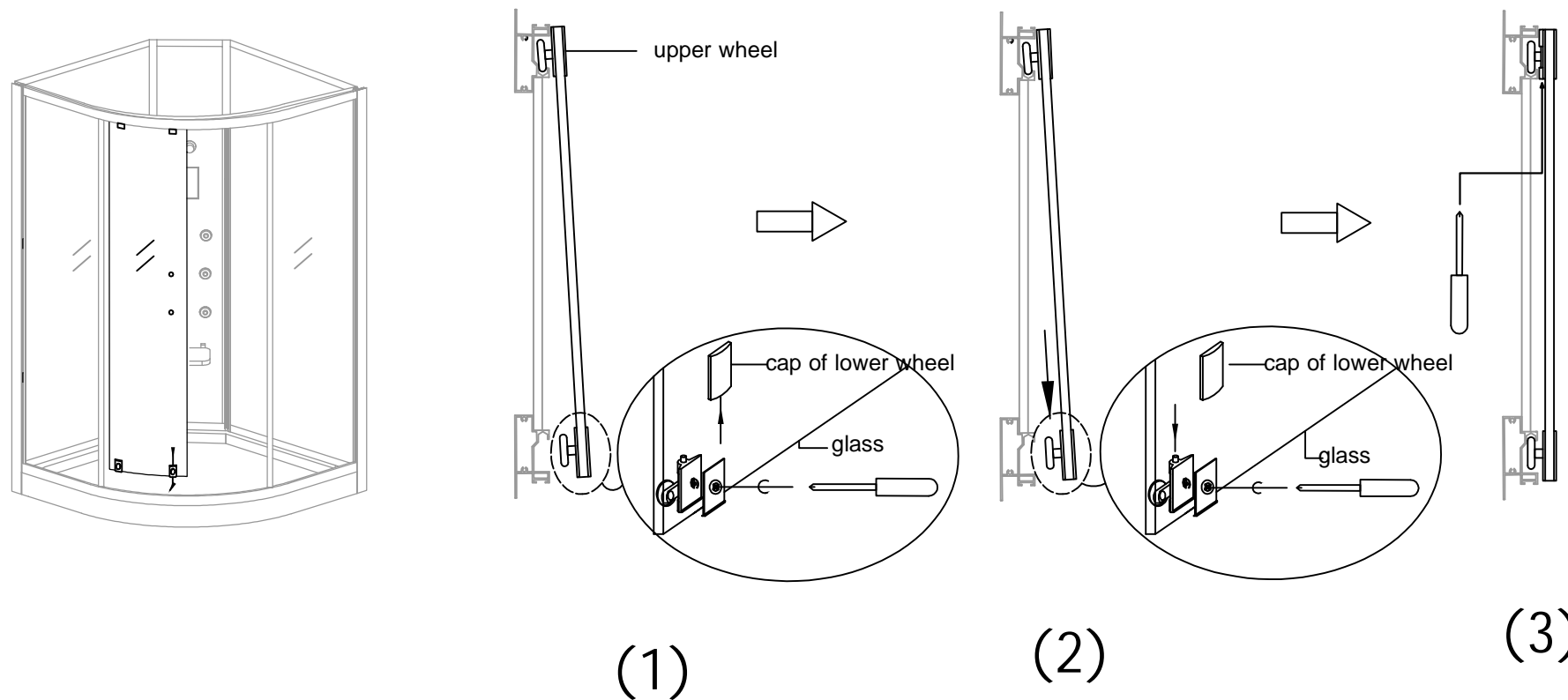
5. Install the technical panel

- ① Put the technical panel on the shower tray and then fix it to the side glass with screws according to the drawing;
- ② Insert the steam engine waste water pipe into the drain
- ③ Connect the water pipe according to the numbers.



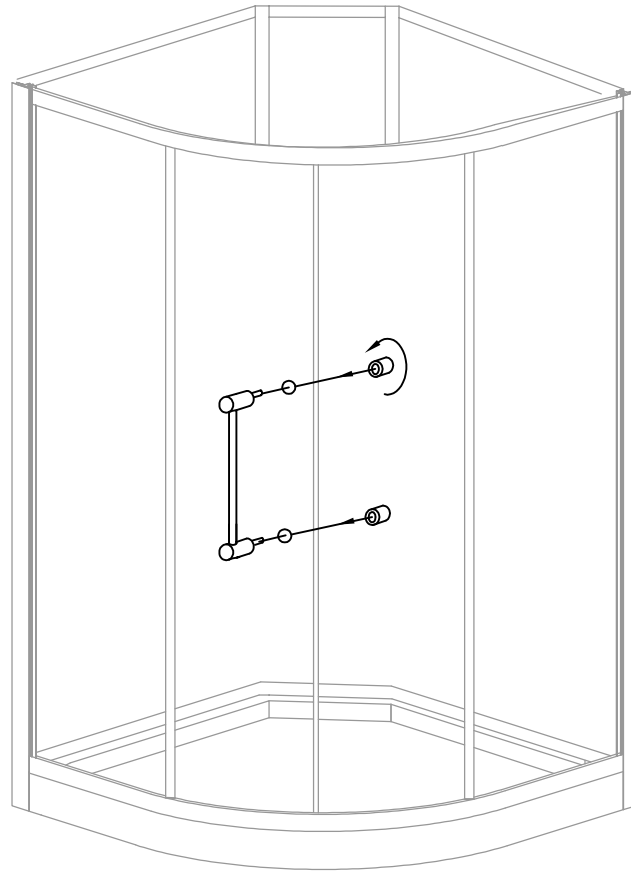
6. Install fixed glass door

Get one side of the fixed door into door frame. Install the other side of the glass door onto the track with blocks on both ends through tapping screws.

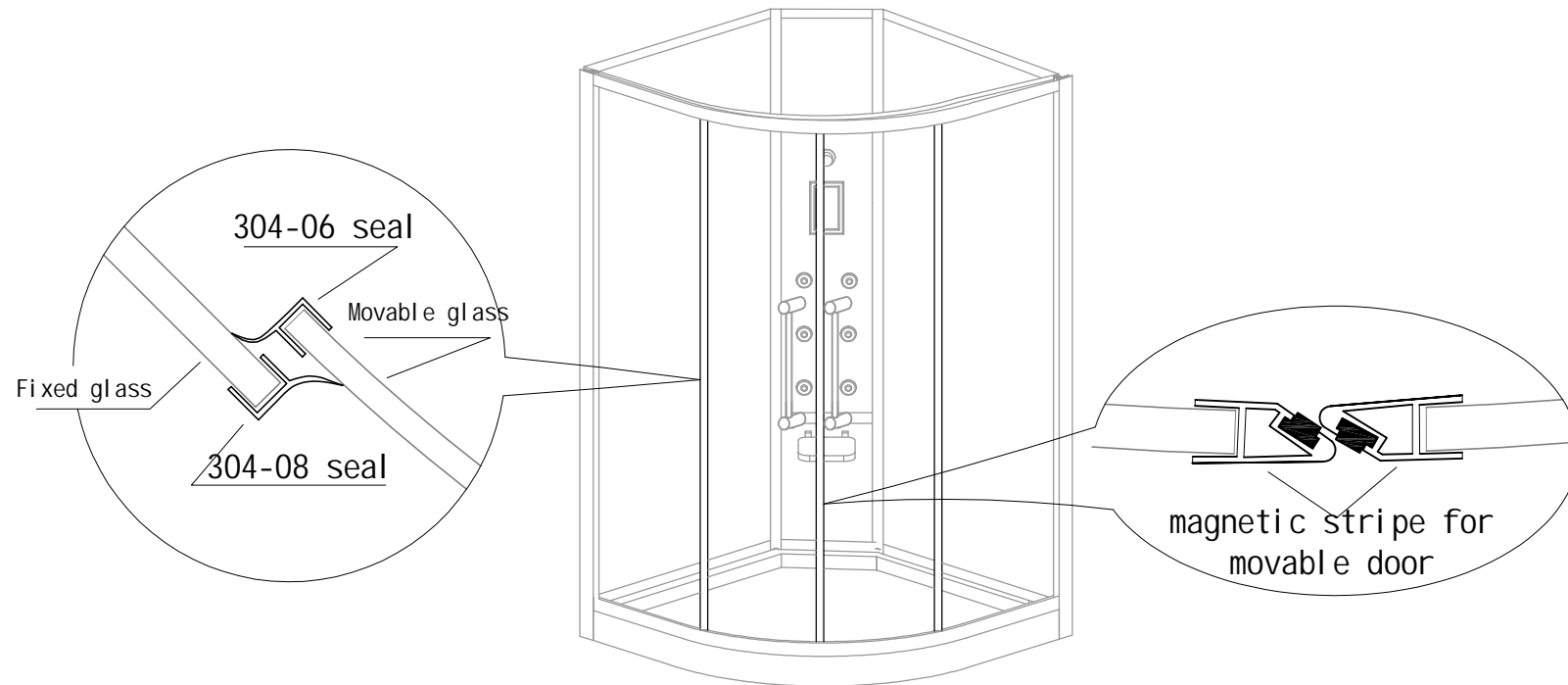


7. Install the movable door

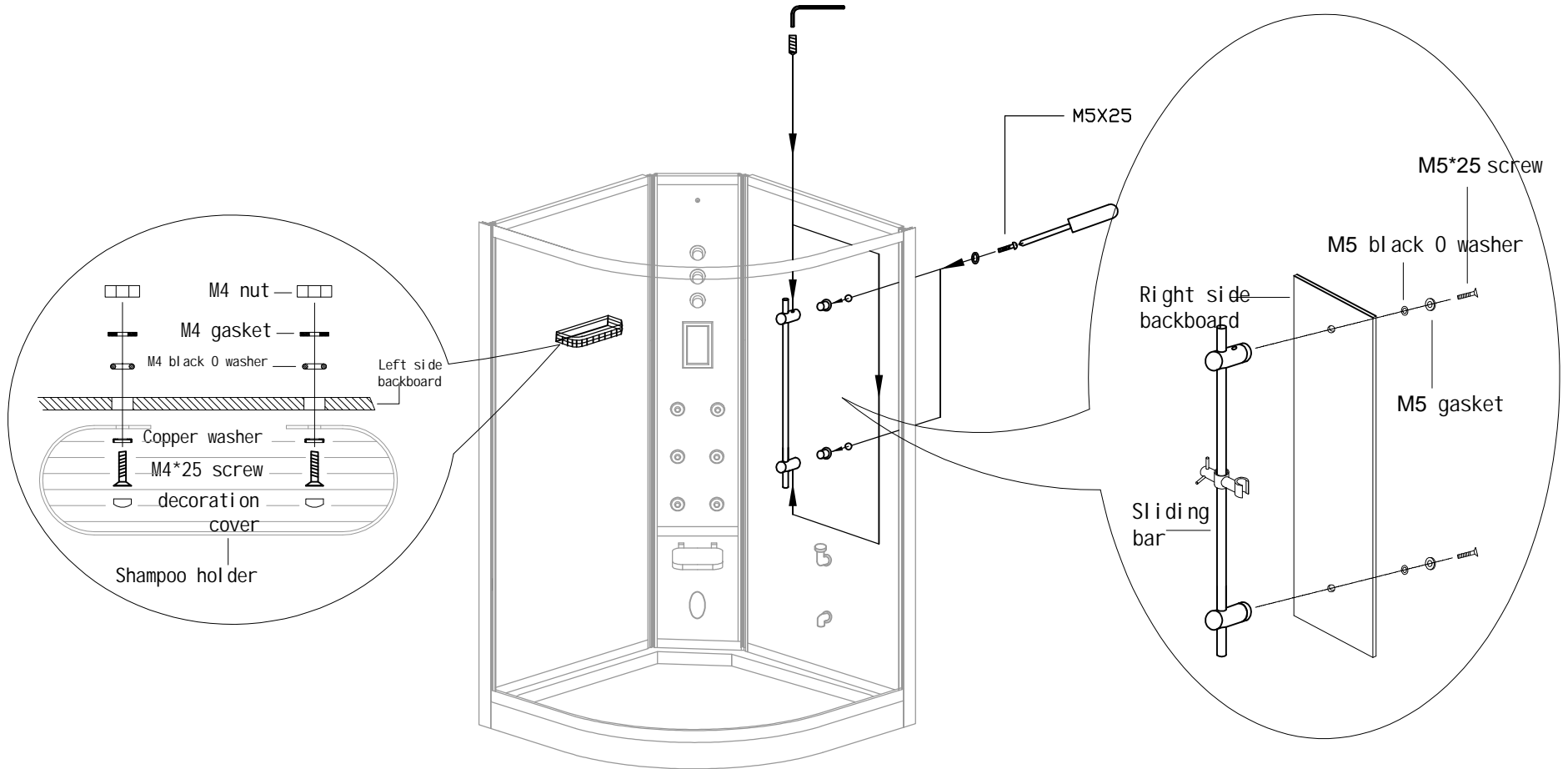
- (1) Put the upper wheels of the sliding door into the upper track. Take off the cap of lower wheel and loose the screws.
- (2) Push the lower wheel into the lower track and install the cap. Then tighten the screws.
- (3) Adjust the upper wheel to make the door working well.



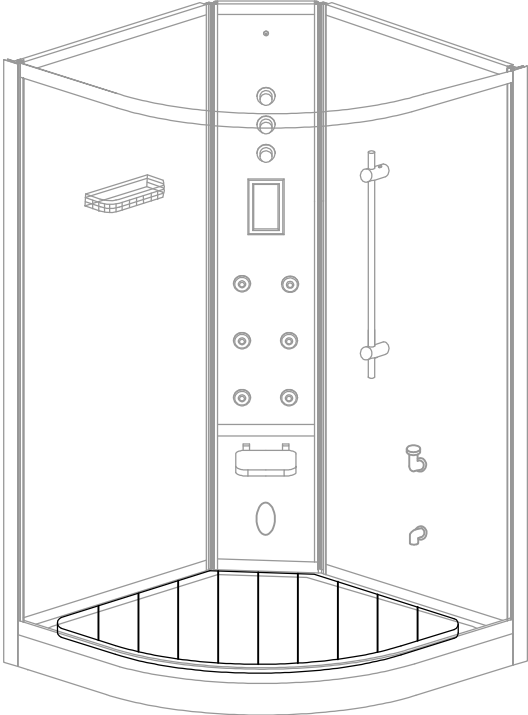
8. Install the door handles.



9. Install the seals and magnetic stripe.

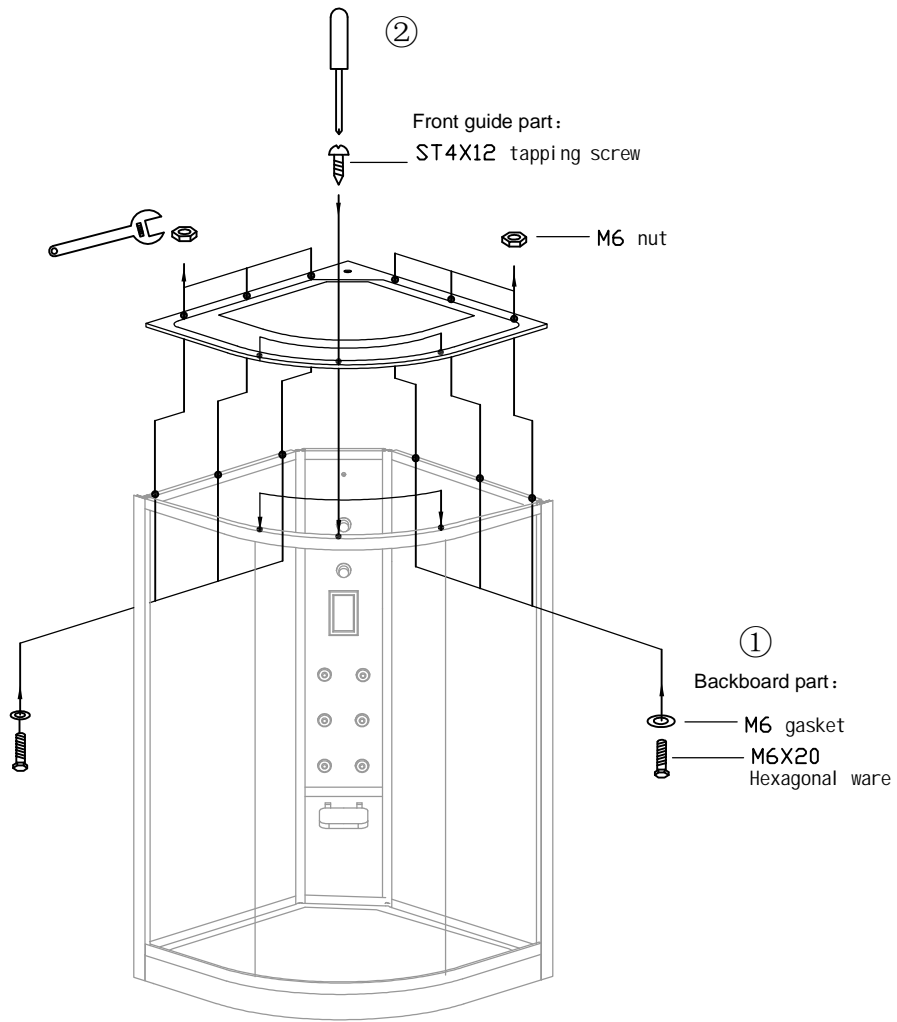


10. Install sliding shower bar and shampoo holder.



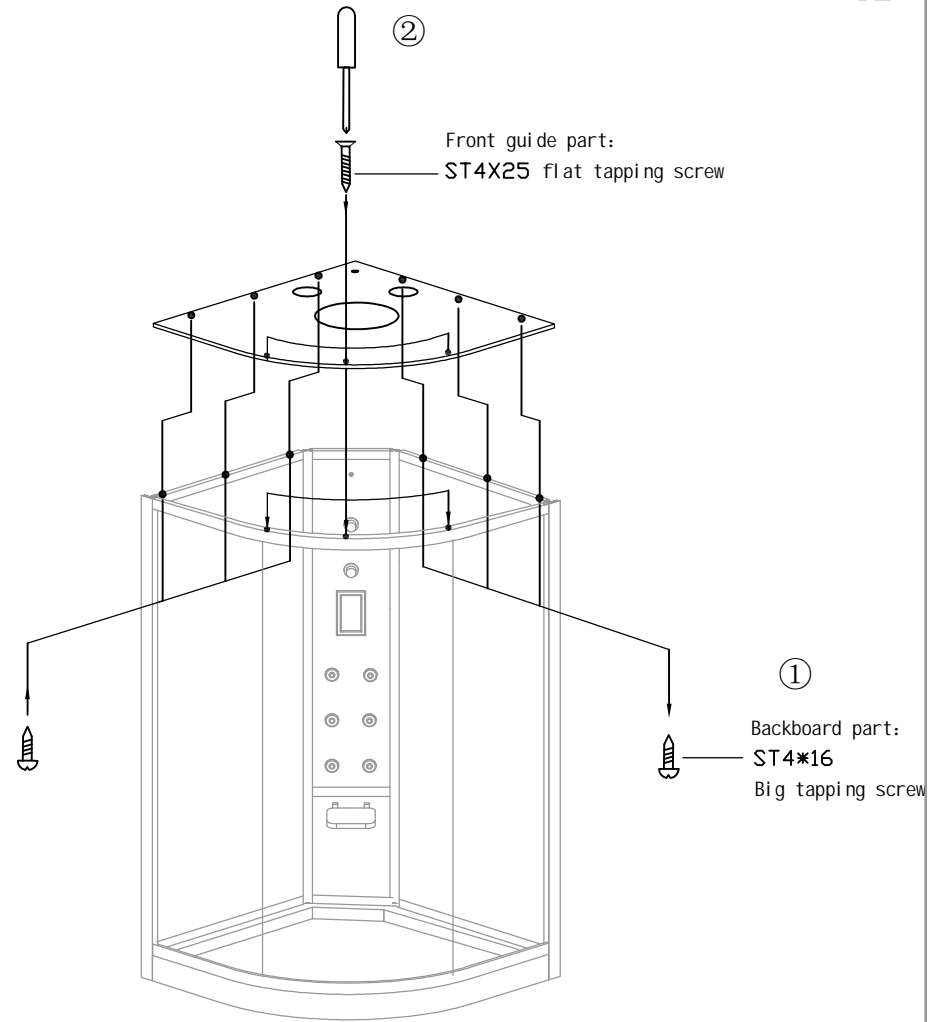
11. Put the shower grid into the cabin.

Installation for acrylic roof:

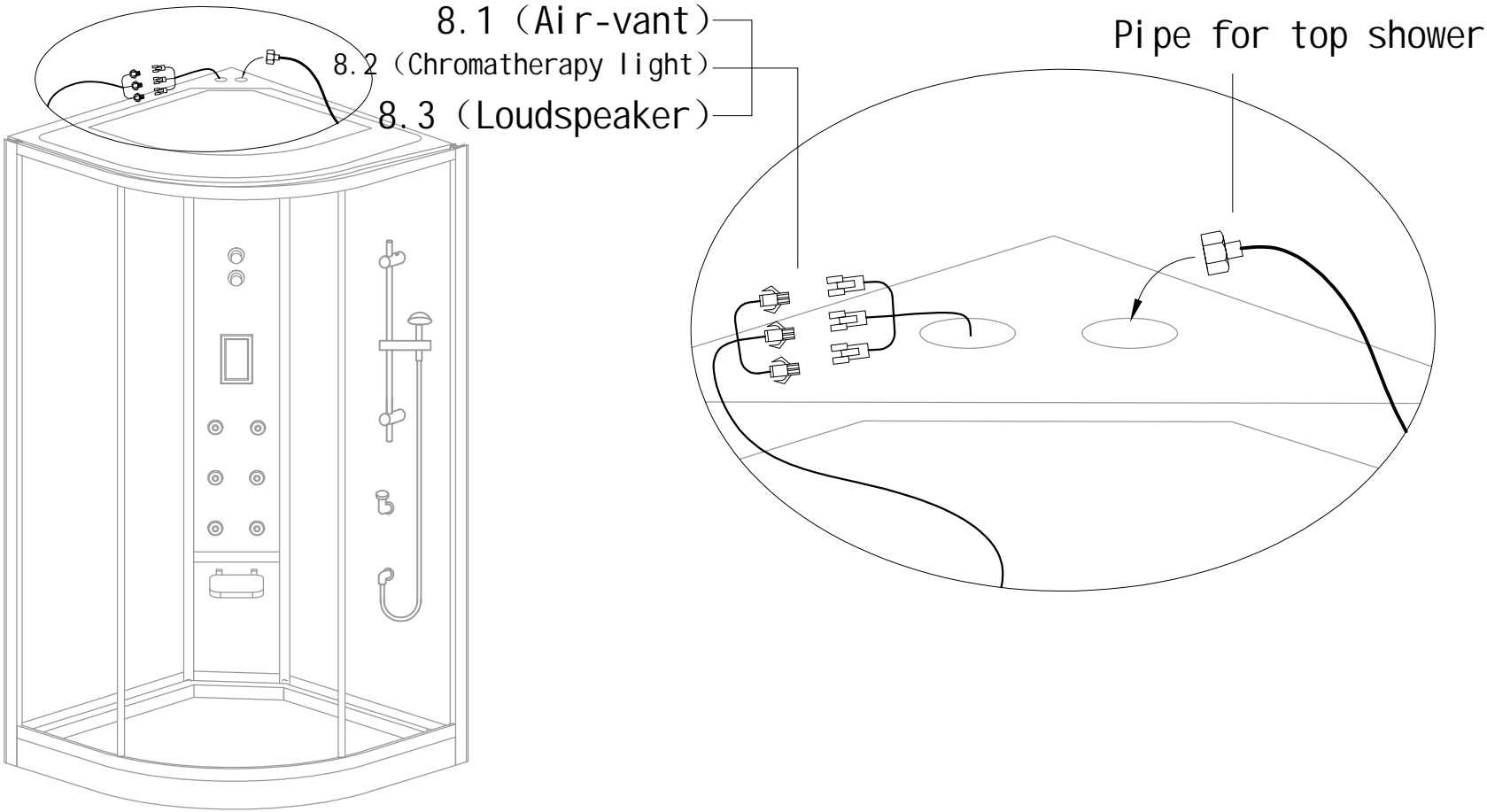


Installation for wooden roof:

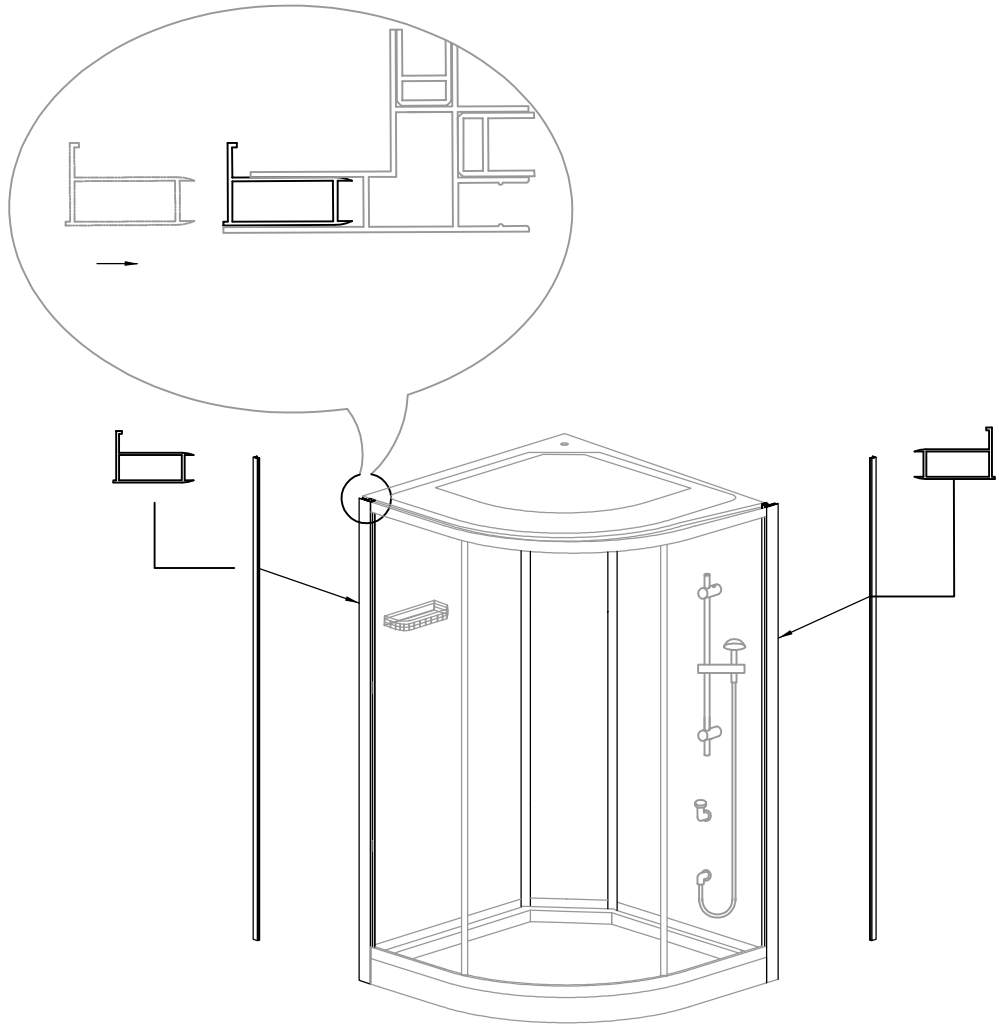
12



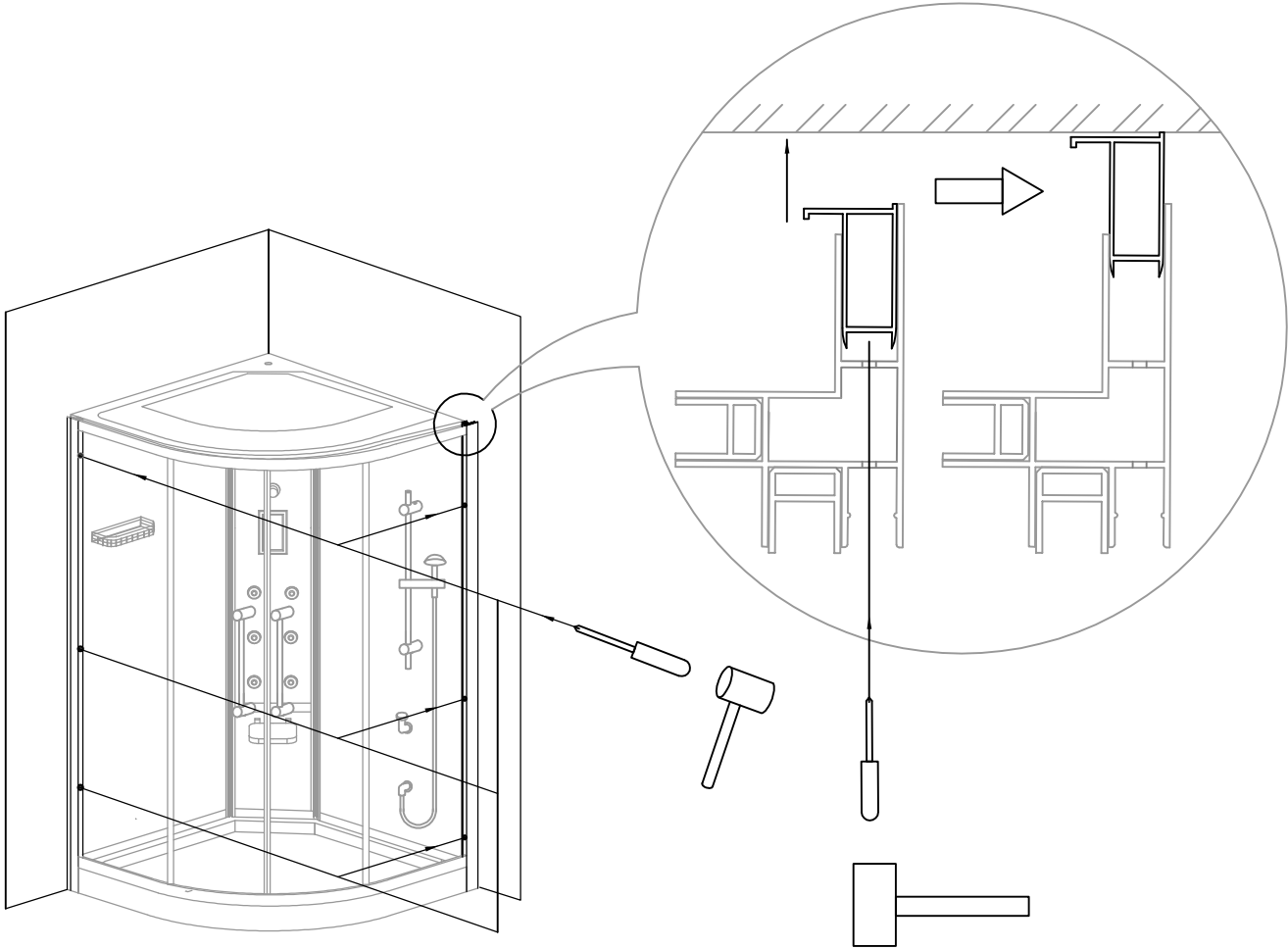
12. Install the roof.



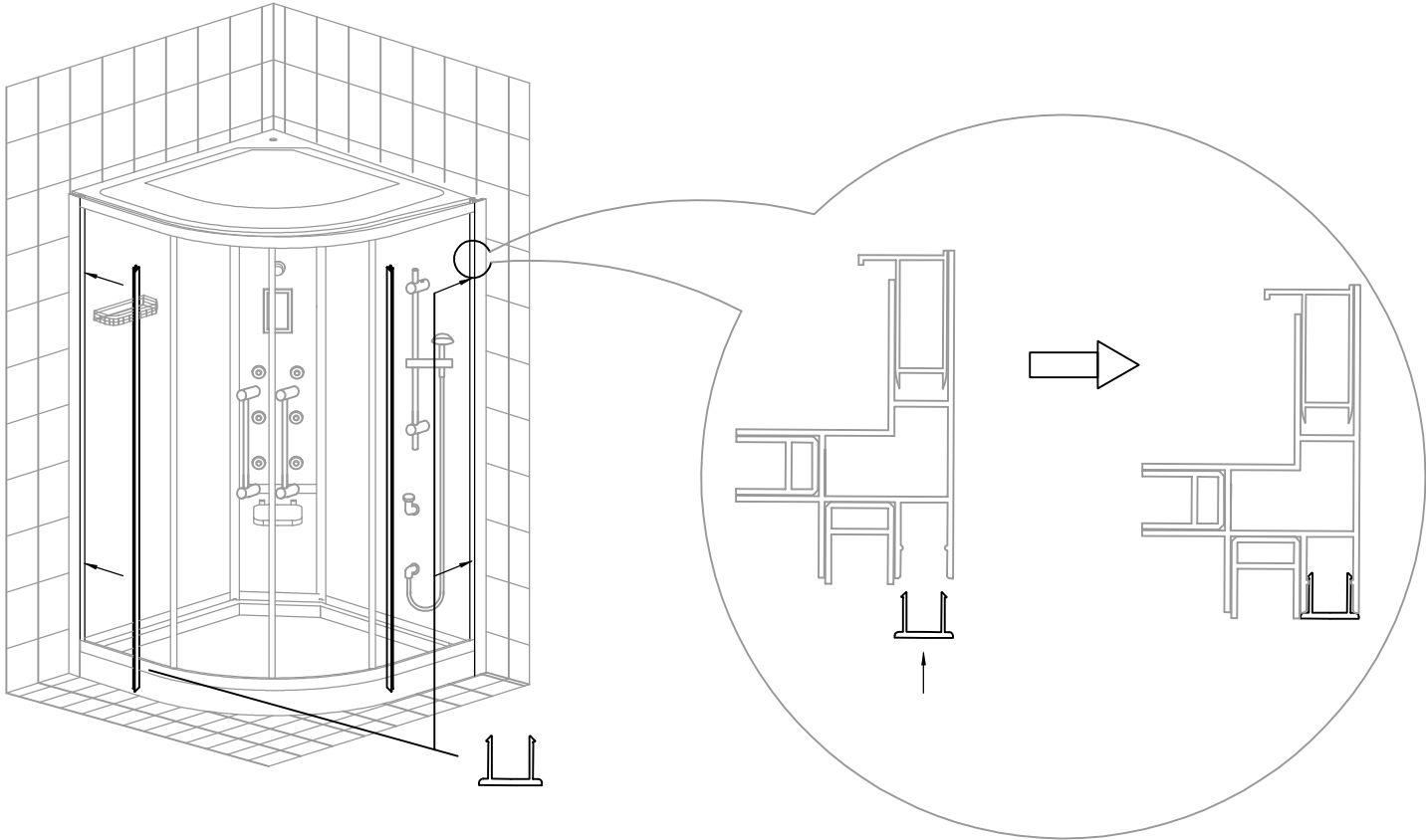
13. Connect the pipe for top shower and the pipes according to the number.



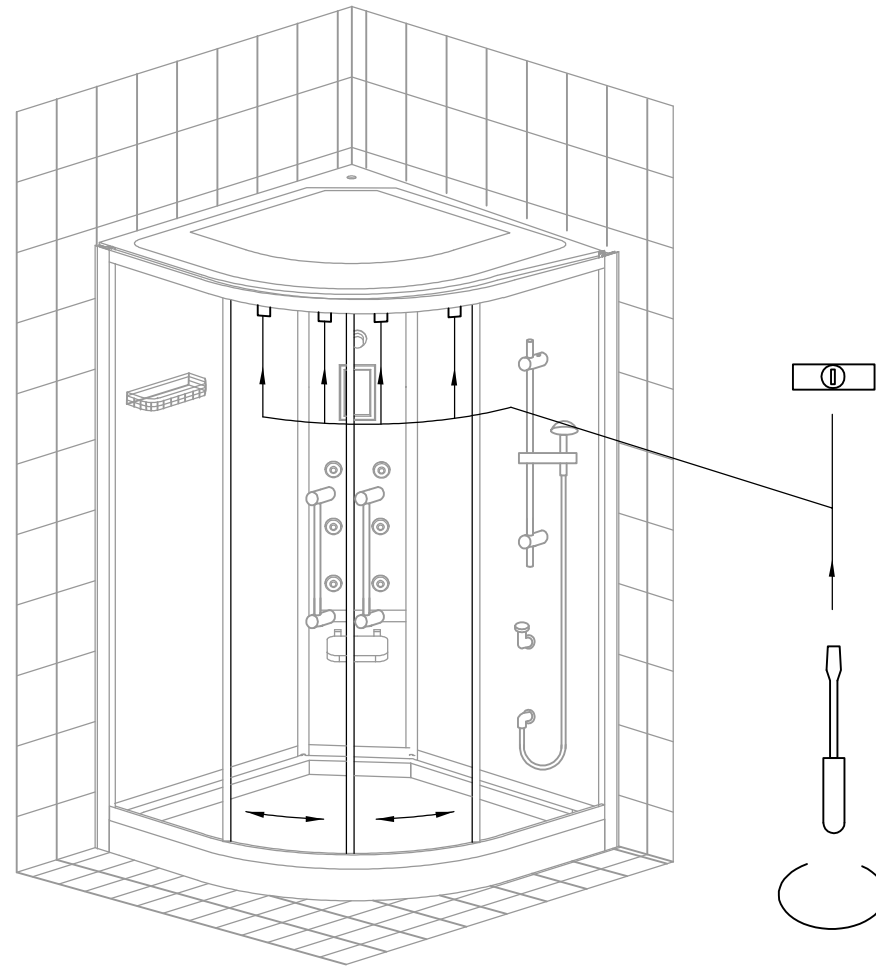
14. Install the front decoration profile on both sides.



15. Push the cabin to the corner and adjust the profile as the drawing.



16. Install the front decoration profile on both sides.



17. Adjust the gap between the cabin and wall :

- (1). Connect the pipe and wire(connect the earth wire to the ground). Push the cabin to the corner after connecting power supply.
- (2). Use the screwdriver and hammer to insert the profile. Make it close to the wall.