

USING INSTRUCTIONS OF COMPUTER STEAM ROOM



B102A(L)\B102B(L)\B103A(L)\B103B(L)\B104
B106A\B106B\B106C\B108A\B108B\B109\B110

keep in good repair

1. Clean the machine by soft cloth and liquid detergent. Never cleaning the product with detergent containing acetone, ammonia spirit and organic solvent.
2. Abrasive by 1500' water sand paper for the light scratch, then polishing by toothpaste with soft cloth.
3. Removing the surface water scale with the light acid detergent, such as warmed lemon juice, vinegar etc.
4. If the steaming muzzle and water outlet is blocked by hair etc., please remove the stem.
5. Don't frequently wipe the gold and chrome plated parts (Don't contact the organic solvents)
6. Don't wipe the body surface with rough cloth, chemical solvent and granule-contained detergent.
7. Don't knock and scratch the body surface by knife etc. sharp articles.
8. Suggested to cleaning the steam generator once after it is used for 20 times. Injecting 5-10g lemon acid and 1.5-1.7 warm water into the generator, lay it for 8-12 hours, then connect the power, pressing the steam switch and extruding the detergent.
9. Testing the electricity leaking switch, if it is in fine performance, the switch will break off automatically.
10. Checking if the power wire, switch and contact are damaged by rabbit, insects and ants.
11. Checking if the water in and out pipe is broken or folded, checking if the water extruding is smooth.
12. Never starting the pump in case of no water to prevent damaging the sealing articles.
13. Please check if the connected voltage accords to the motor working voltage before power is connected.
14. All the conductive wire should be connected by professional technicians; the engine Must be connected ground.

Statement

- 1、 The company reserves the right to modify the appearance and parts of the product without prior notice. For dimensions and colors of the products, the physical products prevail.
- 2、 In case of maintenance, only authorized maintenance personnel by the manufacturer or agent can do this, otherwise, products will no longer enjoy guaranty, and the company will not be responsible for any loss triggered thereby.
- 3、 This manual is only for reference. Any change or update in design and description will be done without prior notice. (You are expected to forgive us if there is any error, missing or translation error in the manual)

▪ Preface	1
▪ Instrucrions	1
▪ Electric parameter	1
▪ Preparation before installation & Notes	2
▪ Installation steps	2
▪ Spare part installation instructions	3
▪ Installation diagram.....	3
▪ Rubble sealing installation instructions	4
▪ Installation diagram.....	4
▪ Installation instructions	5
▪ Installation diagram.....	5
▪ Installation method of rubber strip	6
▪ The installing wire connection chart of steaming room	7
▪ Remote controller functions of computer steam room.....	7
▪ Computer control panel description.....	8
▪ Remote controller functions of computer steam room.....	9
▪ The part installs the usage instructions	10
▪ Installing wire connection chart	11
▪ Functional description	11
▪ Description of keys on the computer control panel	12
▪ Wiring diagram for the the computer control panel	12
▪ Usage of control panel	13
▪ Technical Parameters(E-BH608F、E-HP811T).....	14
▪ Repairing tips.....	15

Preface

Dear users, thank you for selecting B1 series steam room. As new generation health care casual product, the computer steam room boasts of safe, comfortable, elegant design and precise manufacturing. You will enjoy it. In order to ensure your interest and our high reputation, please affirm our trademark. If you have any problem in course of using the product, please consult the local distributors or directly visit our website.

Instructions

1. Please read the instruction before using the product.
2. Please don't invert, slope and piling other articles on the product. Please don't store the product together with formic acid, formaldehyde and organic solvent.
3. Please don't cut the connection wires when open the pack and installing, our company is free of responsibility to the failure caused by it.
4. Please don't install the product by non-professional technicians. Please maintain the product by professional technicians.
5. All the conductive wire should be connected by professional technicians, the engine must be connected ground.
6. Please don't turn on the water pump power if there's no water in the steam generator and bathtub.
7. The persons druk suffering hypertension and heart disease are forbiddento enter into the steam room, children users should be accompaniedwith adults.
8. Adjusting the water temperature before bathing or massaging to prevent scald.
9. Keeping the surroundings ventilated, dry and without corruptive air, turning of the power and water. if you don't use it.
10. No notice to the parameter changes.

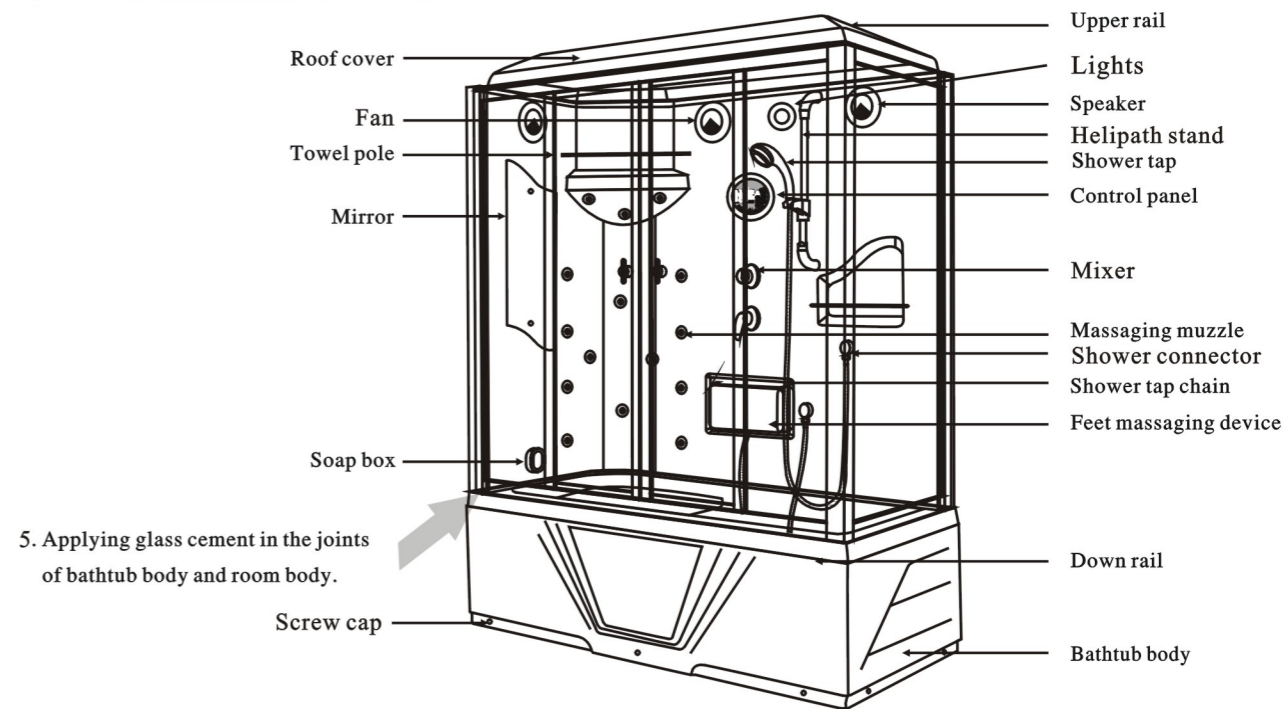
Electric parameter

Power Supply	Rated Voltage	Frequency	Rated Power	Current
Take the massage	AC110V~130V	60Hz	4KW	33.3A
Do not take the massage	AC110V~130V	60Hz	3.1KW	25.8A

Preparation before installation & notes

Installation diagram

1. After unpacking, please read the manual carefully, and check if all the parts are there according to the package list. Carefully check all the parts' conditions. If any such problem happens, please contact with the distributor or seller.
2. Tools required: Percussive electric drill, Drilling head in $\Phi 6\text{mm}$, Cross-shaped screwdriver, "-" shaped screwdriver, Level ruler, Pencil, Spanner, Hexagonal socket screwdriver(6mm, 3mm), wooden wedge.
3. Please move the glass uprightly by two people.
4. To avoid scratches on the glass, please pad the surface by soft material before.
5. Please install the shower room referred to the operation manual. For any damages or disfunctions caused by incorrect installation steps are not responded to our company.
6. In order to reach the best effect, we suggest you to use fittings made by our company.



Installation steps

5. Applying glass cement in the joints of bathtub body and room body.

1、 Please arrange the drain pipeline, power supply socket and water inlet pipe according to the technical parameter list of the product, and check the connecting position. Allow the two square edges of the base tub against the wall as close as possible, place the level ruler on the top surface of the bathtub or the tray to adjust the anchor bolts of the bathtub or the tray until the top surface of the bathtub or the tray is level. (Diagram 1)

2、 Connecting to the sewer

The drainage pipeline is below the base tub, fix the water outlet to the sewer when making connection, seal with adhesive tape or silicone sealant. Be careful not to bend the pipeline.(Diagram 2)

In installing all bathtubs or tray , this method can be referred to.

Installation pictures

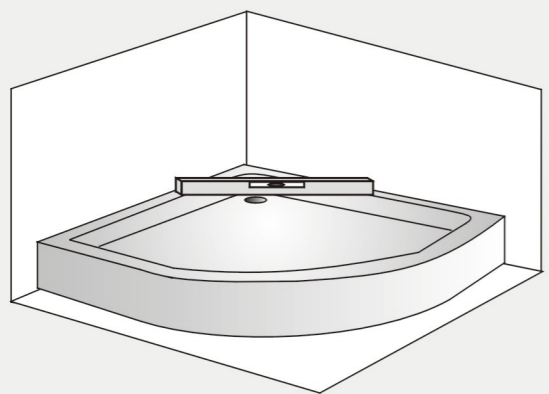


Diagram 1 The bottom a position confirms

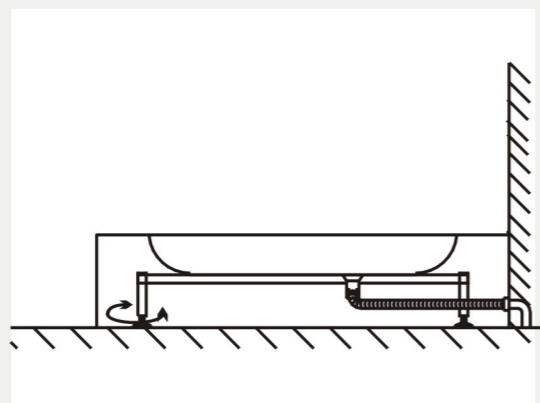
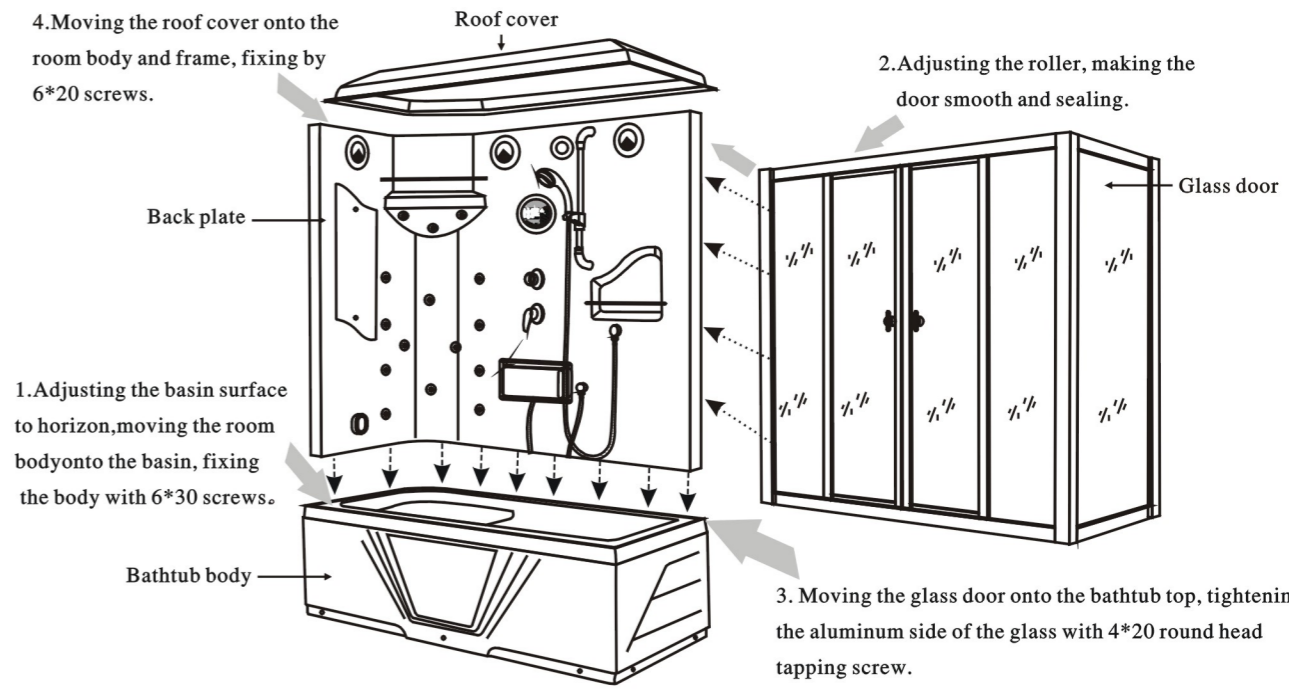


Diagram 2 Conjunction sewer



4.Moving the roof cover onto the room body and frame, fixing by 6*20 screws.

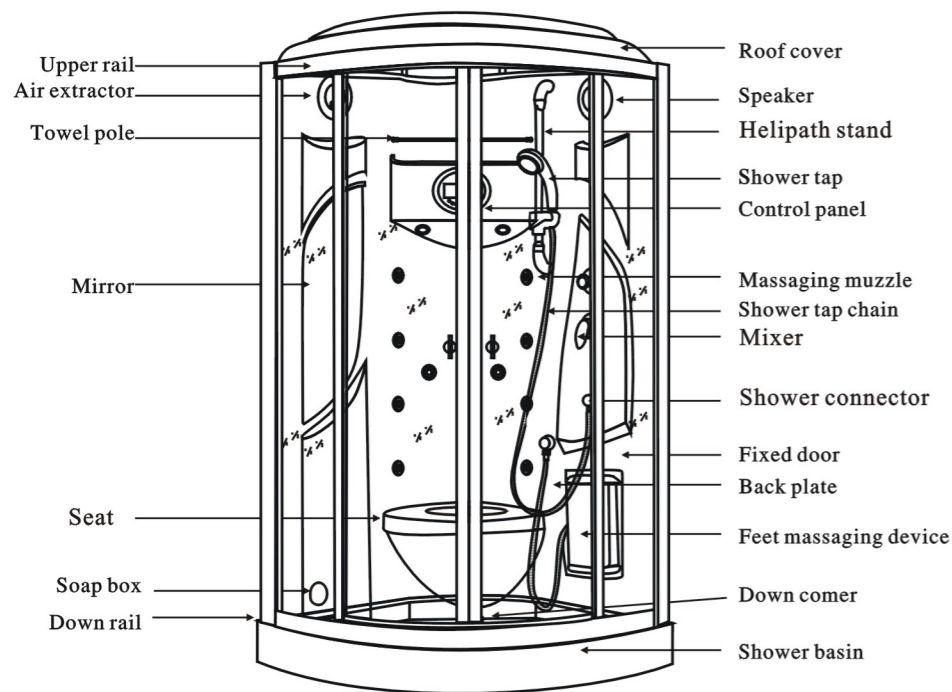
2.Adjusting the roller, making the door smooth and sealing.

1.Adjusting the basin surface to horizon,moving the room body onto the basin, fixing the body with 6*30 screws.

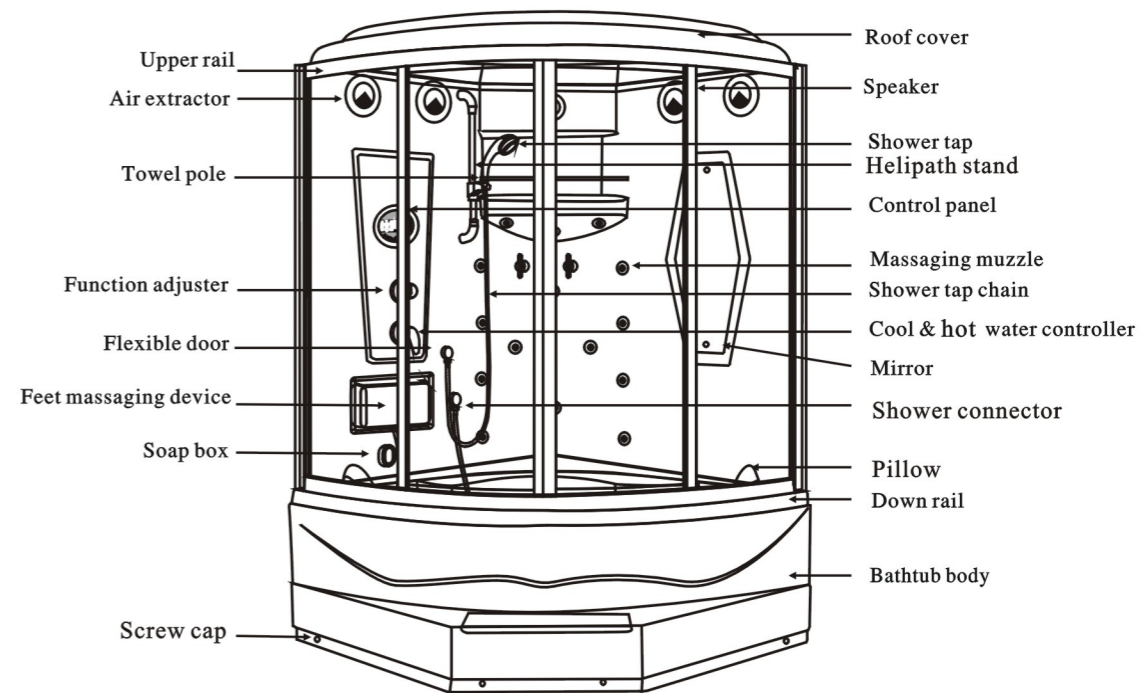
3. Moving the glass door onto the bathtub top, tightening the aluminum side of the glass with 4*20 round head tapping screw.

The installation instructions of all the steam rooms are the same as above picture.

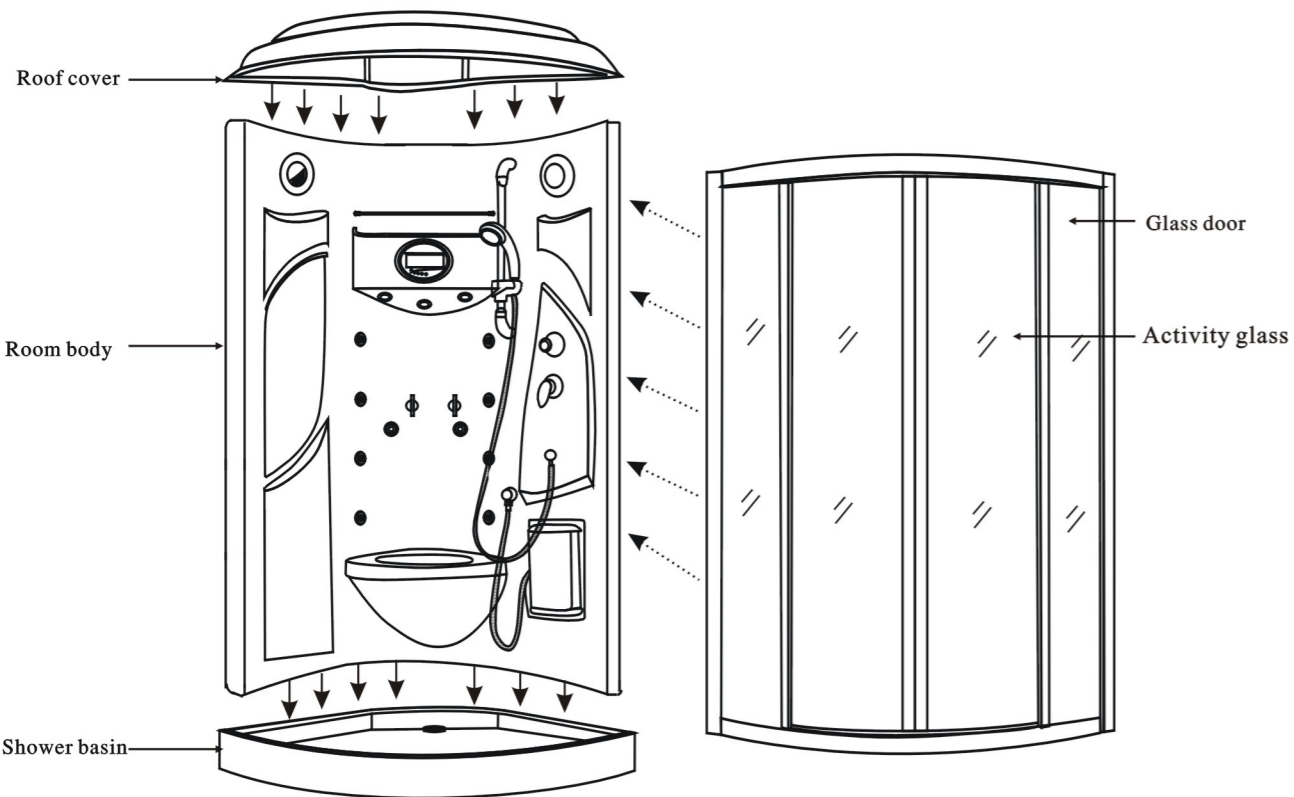
Installation diagram



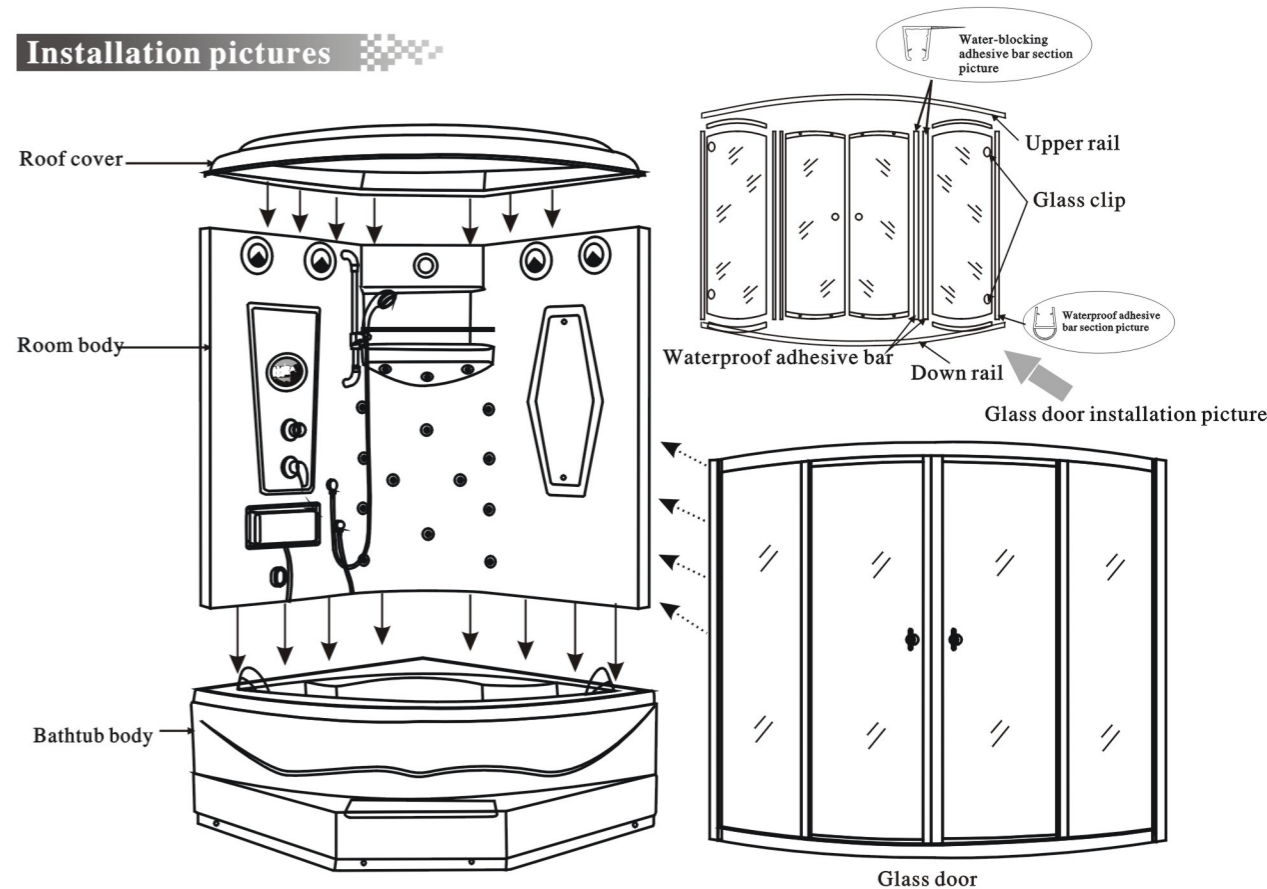
Installation diagram



Installation pictures

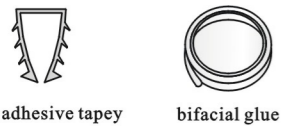


Installation pictures

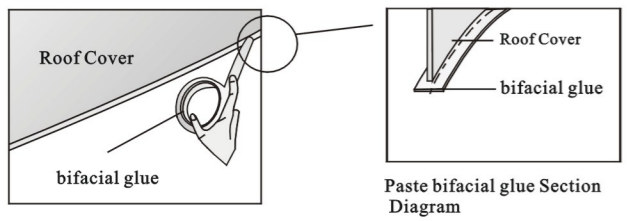


Installation method of rubber strip

1. Take out 5mm adhesive tapey and bifacial glue from the packing case

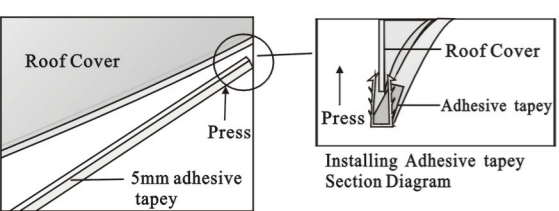


2. Agglutinate bifacial glue on the bottom edge of the steam house coping (when adhesive tapey is installed, this step only plays a role in fixing adhesive tapey)



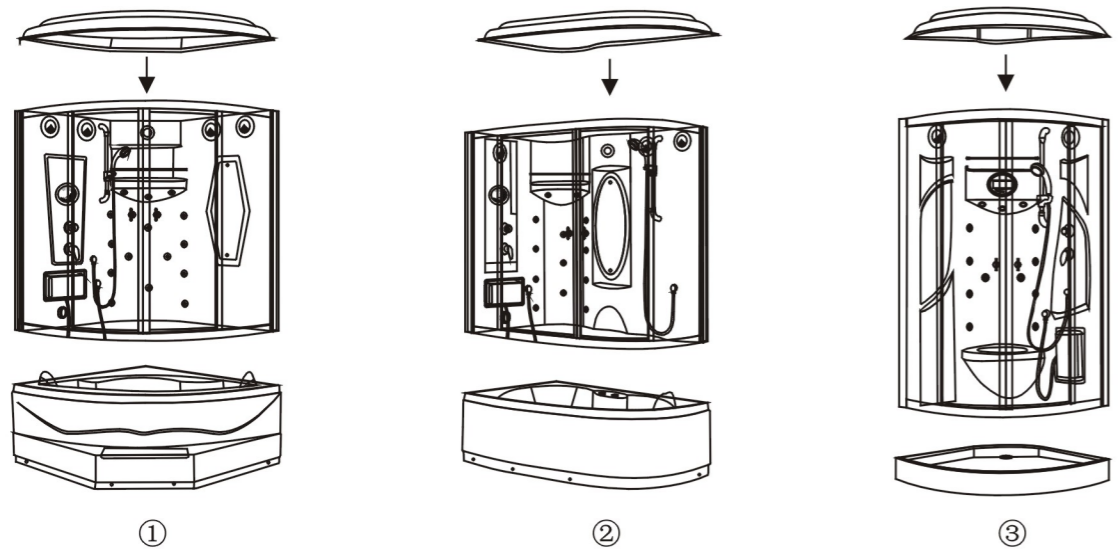
Paste bifacial glue

3. After bifacial glue is pasted, press adhesive tapey into the bottom edge of steam house coping.

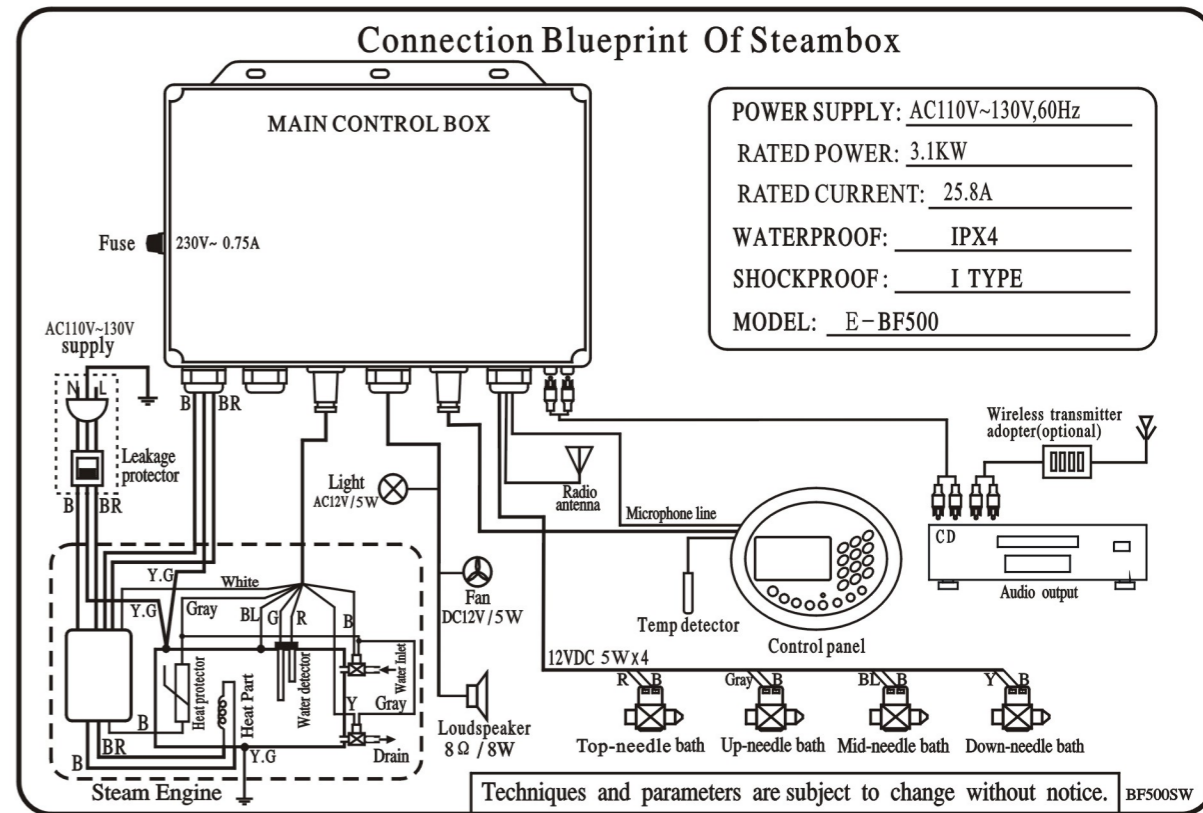


Installing Adhesive tapey

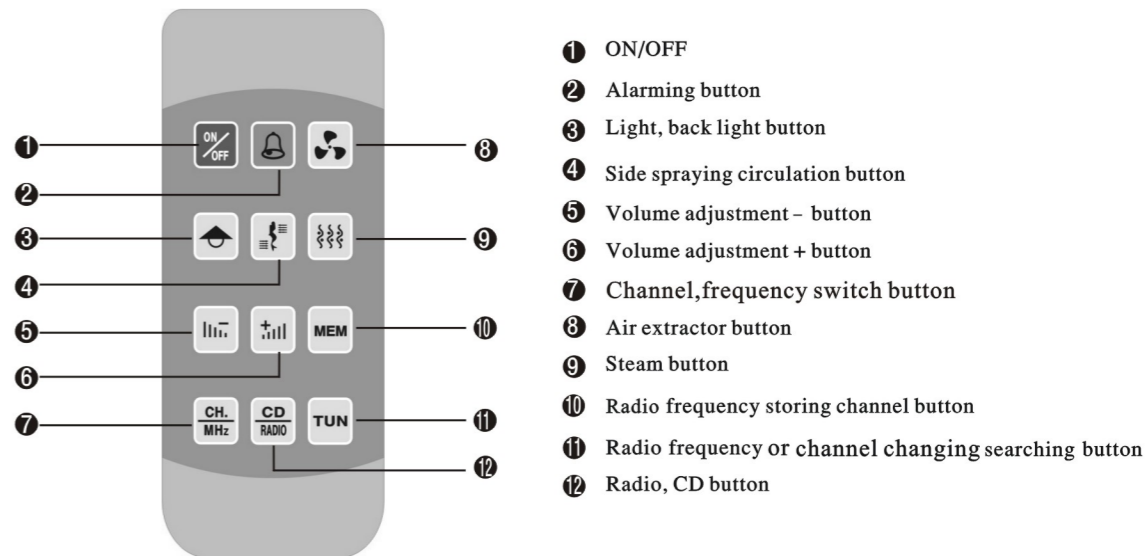
4. Finally install the coping onto the house body. For the method of installation, see the following diagram.



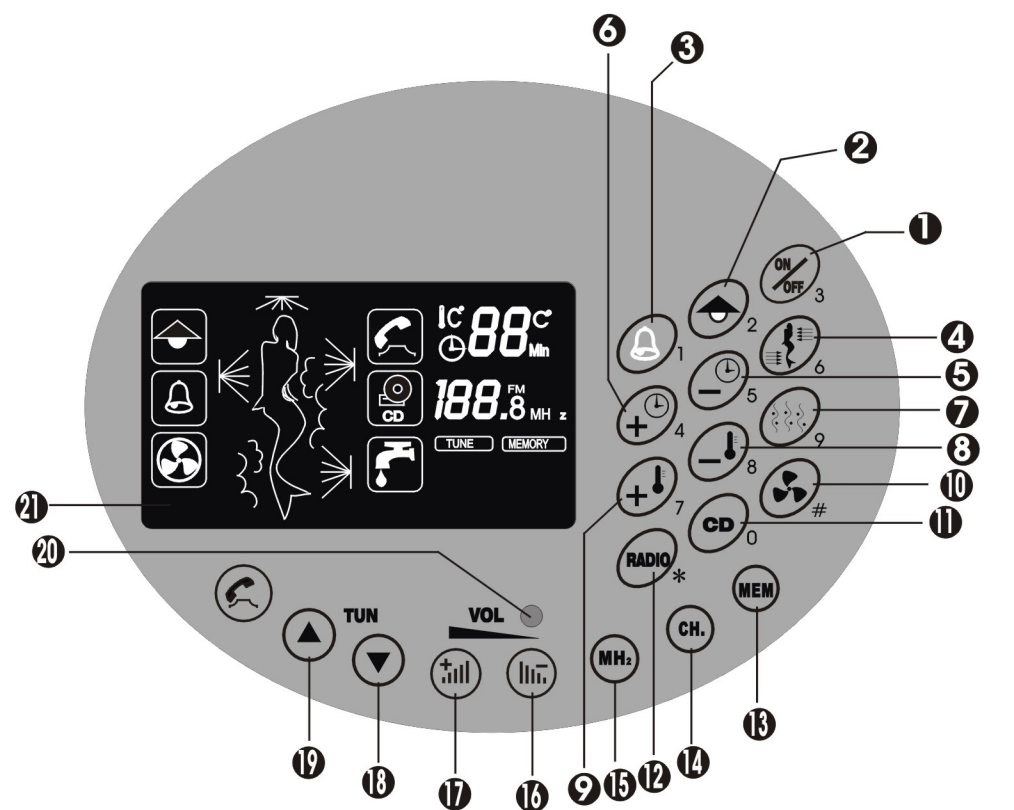
The installing wire connection chart of steaming room



Remote controller functions of Computer Steam Room




Computer control panel description



- | | |
|--------------------------------------|---|
| ① ON/OFF button | ⑫ Radio button |
| ② Light, back light button | ⑬ Radio frequency memory button |
| ③ Alarming button | ⑭ Radio channel function button |
| ④ Roof spraying button | ⑮ Radio frequency function button |
| ⑤ Steam time setting - button | ⑯ Volume adjusting - button |
| ⑥ Steam time setting + button | ⑰ Volume adjusting + button |
| ⑦ Steam or telephone button | ⑱ Downwards shifting or searching radio channels button |
| ⑧ Steam temperature setting -button | ⑲ Upwards shifting or searching radio channels button |
| ⑨ Steam temperature setting + button | ⑳ Remote control receiving window |
| ⑩ Air extractor button | ㉑ LCD display |
| ⑪ CD or button | |



Remote controller functions of Computer Steam Room

1. ON/OFF

Press the  button on the panel or remote controller under the power on status, the system starts and turns on all the functions of the panel, the screen light on, and the LCD displays environment temperature and light and symbol (Referring to the chart below). Press the button again to turn off the system, and turn off all the opened functions.




2. Lighting lamp

When press the  button to turn on the system, the back light turns on, press the  button on the panel or remote controller once to turn off the back light; turning on the roof lamp by pressing again, turning on the back light by pressing for the third time, turning off the roof light by pressing for the fourth time, and turning off the back light by pressing for the fifth time.

(If there's no back light extensive function, this button is only used to turn ON/OFF the roof lamp)

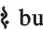


3. Air extractor

Press the  button on the panel or the remote controller to turn on the air extractor and the LCD displays air extractor symbol under the system on status. Press the button again to turn off air extractor.



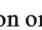
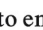


4. Steam

Press the  button on the panel or the remote controller to turn on the steam, the LCD displays Steam symbol and the environment temperature under the system on status. The system default time is 45 minutes and the max temperature is 45 °C . If the system is lack of water, the steam can't be turned on, the steam symbol off and the lack of water symbol on the LCD flashes. Press the button again to turn off steam.




5. Steam temperature and time setting

Press the  or  button once to enter into the steam temperature setting status, Press the  or  button again to enter into the time setting status, when the steam time is up or the environmental temperature reaches the set value, the steam will automatically stop working.



6. Spraying shower

Press the  button on the panel or remote control once to open up spraying; Switching to middle spraying by press again, Switching to down spraying by pressing for the third time, shifting the up, middle and low spraying circulation by press the button for the fourth time, switching to the top spraying by press for the fifth time, Turn off the function by pressing the button for the sixth time.



7. Speaker

Press the **RADIO** button on the panel or the remote controller to turn on the radio function and the LCD displays the current channel under the system on status. Press the **CH.** button once to enter into channel selection status, press the **TUN ▲ ▼** button to switch the channels upwards or downwards, the channel ranges from 1 to 10. press the to achieve automatic radio searching status and the LCD displays the current frequency, press the **MHz** button to achieve hand-operated upwards or downwards search, press the **TUN ▲ ▼** button for half a second to achieve automatic upwards or downwards search, press the **MEM** button to store the current frequency. Press the **CD** button on the panel or the remote controller, the system shift into the CD input status and the LCD displays CD letters..



8. volume adjustment

Under the status of speaker on (under radio or CD status), press the **▲** or **▼** button on the panel or the remote controller to enter into volume adjustment.

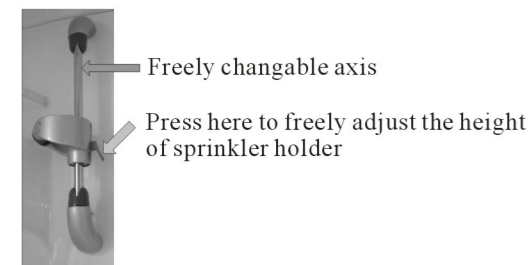
9. Alarm

Under emergency, press the **🔒** on the panel or remote controller, the loud speaker rings and the LCD displays and flashes alarm symbol, turning off the opened functions of steam, shower tap and speaker, except the light, back light and air extractor, Only Press the **🔓** button can turn off alarm.

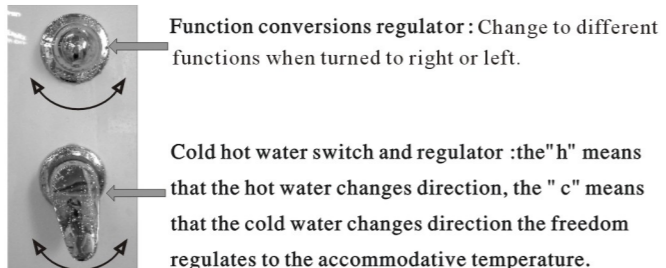


The part installs the usage instructions

1、 the flower spreads rise and fall

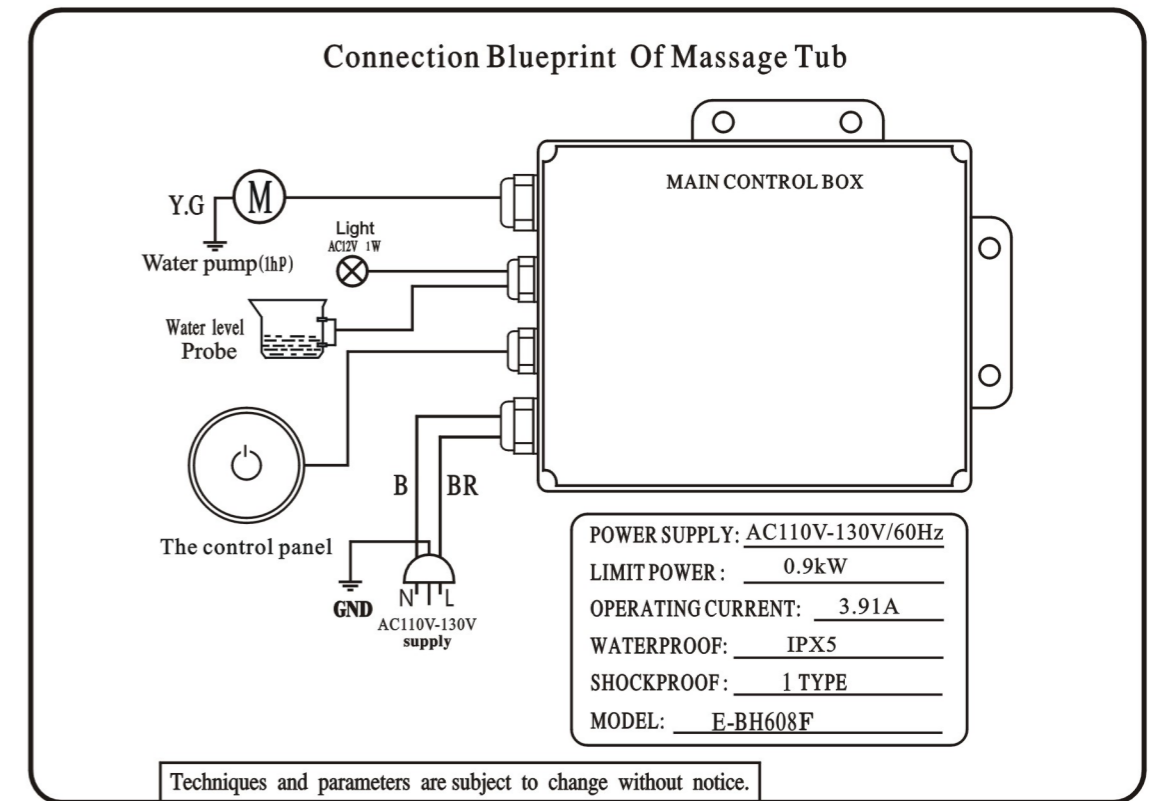


2. Single



3. The foot bottom massages device :
From carry on the back the plank dismantle to put while sitting the feet steps place, open its cover, the feet tramples in the mouth of nozzle , convert the function to adjust to the foot bottom to massage the appearance can immediately proceed the foot bottom massage.

Installing wire connection chart



Functional description

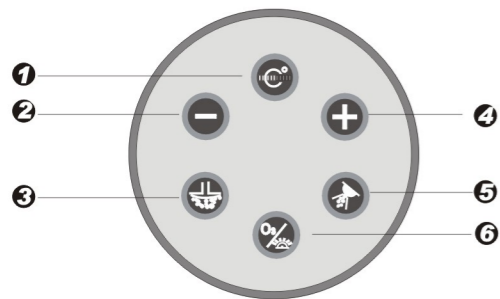
1. The system under full water status:

One press of **⏻** button on panel will start system and turn on water pump, underwater lights and timing shutdown function of 1 hour. The blue indicating light on display is on. Another touch of **⏻** button for 3 seconds, time up of 1 hour timing or entering into exsiccosis will turn off the water pump, underwater lights, indicating light and system.

2. Under the system exsiccosis

One press of **⏻** button on panel will start system, but water pump and underwater lights can not start, with blue indicating light on display box blinking. Meanwhile 1 minute timing shutdown function is turned on. Another press of **⏻** button for 3 seconds or time up of 1 minute timing will turn off Indicating light and system. If it enters into full water status when indicating light blinks, then water pump and underwater lights are turned on. Meanwhile 1 minute timing shutdown function will be automatically shut off and 1 hour timing shutdown function will be turned on and indicating light stops blinking and is on.

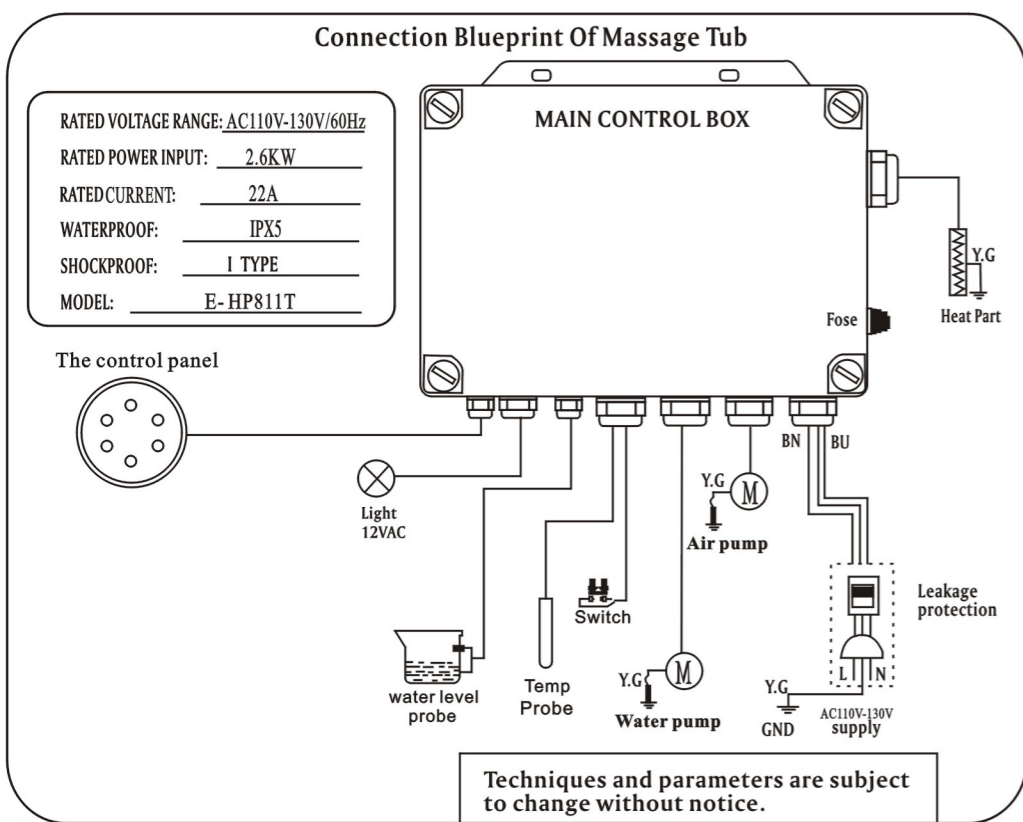
Description of keys on the computer control panel



E-HP811T

- ❶ Thermostatic function key and indicating light
- ❷ Bubble bath force decreasing key and indicating light
- ❸ Bubble bath function key and indicating light
- ❹ Bubble bath force increasing key and indicating light
- ❺ Massage function key and indicating light
- ❻ Ozone function and underwater light control key

Wiring diagram for the the computer control panel



Usage of control panel

1、 Control panel locking and unlocking

When there is no function turned on, control panel is in locking state and all indicating lamps are off. Pressing any key for about 3 second will enter into readiness state, with the panel unlocked and all indicating lamps on. All functions can be operated. If there is not any function turned on when readiness state continues for 1 minute, then the panel is locked, with all indicating lamps off.

2、 Surfing function

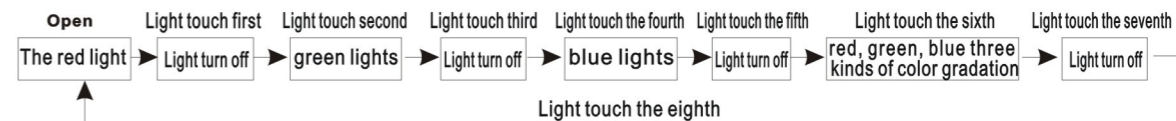
When water is detected by water level sensor under readiness state, one press of button will start water pump and the indicating lamp is on for 60 minutes of self-timing. Another press of this button will turn off the water pump and indicating lamp is off. When water level is insufficient in operating state, it will automatically turn off water pump, with indicating lamp off.

3、 Bubble bath function

When water is detected by water level sensor under readiness state, one press of button will start wind pump and the indicating lamp is on. The wind force is adjustable and default is the maximal level with 60 minutes of self-timing. Another press of this button or insufficiency of water level will turn off wind pump. When wind pump intensity fails to attain extrema, pressing or button can increase or decrease the wind pump intensity by degrees. The corresponding indicating lamp will flicker for each change of intensity level. When it attains the maximal intensity, another press of intensity control button will have not any action. If button is pressed when water is not detected by water level sensor, wind pump default will be maximum wind power and intensity is not adjusted until blowing-dry pipeline, with indicating lamp on and 10 minutes of self-timing.

4、 Underwater light

if the massage bathtub with multi-color light bubble:
 1、 if we have no choose to change the color :when the surf massage and bubble massage one be startup: under water color light will automatic startup when the surf massage and bubble massage and bubble massage all stop work, underwater lights extinguish.(underwater light function without control key)
 2、 if the color is optional: start the bathtub , colorful bubbles bright red light when touch on the control panel keys, we can choose the color, its working way shows as follows:



5、 Thermostat

When water pump starts under readiness state, one press of button will start thermostat heating function and indicating lamp is on. Another press will turn off the function. The thermostat function can not start under non-startup state of water pump. When water temperature in tub attains the default temperature value, thermostat heater stops heating. When water temperature in tub is below the default temperature, thermostat heater automatically starts for heating. When the thermostat heater already turned on is short of water, it would automatic shut off. The thermostat default value is 40°C.

Technical Parameters

Technical Parameters E-BH608F

- 1、Water pump: 1HP~1.2HP AC110V-130V/60Hz 3、Probe type water level detection.
2、Light: 1W DC12V

Technical requirement: Universal safety requirement for electric appliance similar to household purpose and technical standard for enterprise massage tub shall be executed.

Technical Parameters E-HP811T

- 1、Water pump: 1HP~1.2HP AC110V-130V/60Hz 4、UnderwaterLight: AC12V P≤1W
2、Air pump: 1.2HP AC110V-130V/60Hz 5、Thermostat: AC110V P≤1.5KW
3、Ozone: AC12V P≤6W 6、Automatic cleaning(Optional):DC12V P≤6W
7、The water level probe or sensing head can be selected for the water level detector according to different machine models.

Repairing tips

Minor failure	Failure cause	Processing method
Power failure or power broken	Residual current circuit breaker is power off, power supply is not connected, electric cabinet power supply is abnormal	Check and turn on the power
	The connection between the electric cabinet and the control panel not well connected	Check and connect
	Electric cabinet fuse burn-out	Replace the fuse and try again
	The Control panel is damaged	Replace the control panel and try again
Function is available, but no display	The connection between the electric cabinet and the Control panel are not well connected	Check and connect
	The Control panel is poor	Replace the new control panel and try again
No light	The connection between the electric cabinet and the under water lamps are not well connected	Check and connect
	The under water lamps load has fault	Replace the lamp bulb
Out of control	Disconnection between the control panel and the electric cabinet has occurred under the "ON" position	Check the connection between the control panel and the electric cabinet and restart
	The connection between the electric cabinet and the control panel has poor contact	Firmly connect the electric cabinet and the control panel
Water pump not working	The water pump has no power supply	Check the water pump motor for power supply connection
	In lacking of water, the water pump does not run	Check the connection of the water level probe
	Blocked impeller	Cleaning or changing the impeller
	The control of the push keys on the control panel fails	Replace the new control panel and try again
Radio Soundless	The function is not open or circuit failure	Turn on and check the circuit
	The channel or volume adjustment button is not on	Turn on the channel and adjusting the volume
	No signal	Poor receiving condition or strong interfere, pull out the antenna
CD player has no voice	The controlling status does not change to CD status	The controlling status changes to CD status
	The CD player has no power supply.	Check the power supply of the CD player
Telephone no function	Loose connection to the telephone line	Checking the wires and fixing it
	Blocked speaker	Removing the stems
Remote controller failure	Big remote control sending angle	Aiming the remote control to the receiving window
	There is strong electromagnetic interference nearby	Change to manual operation
	The battery capacity of the remote controller is insufficient	Replace the battery
No steam	No water in steam generator.	Check the water intake valve or water pipe.
	The room temperature is higher than the preset temperature.	Increase the preset temperature.
	The preset time is reached.	Adjust the time setting.
	The steam generator is too hot and the overheat protection function is working.	Check the heat protector of the steam generator.
	Failure of the heating coil of the steam generator.	Check and replace the heating coil of the steam generator.

Note: If problems are founded in the electric cabinet or the control panel or the remote controller after the inspection, please write down the failure phenomena and attach to the failure box, then return to us for treatment.