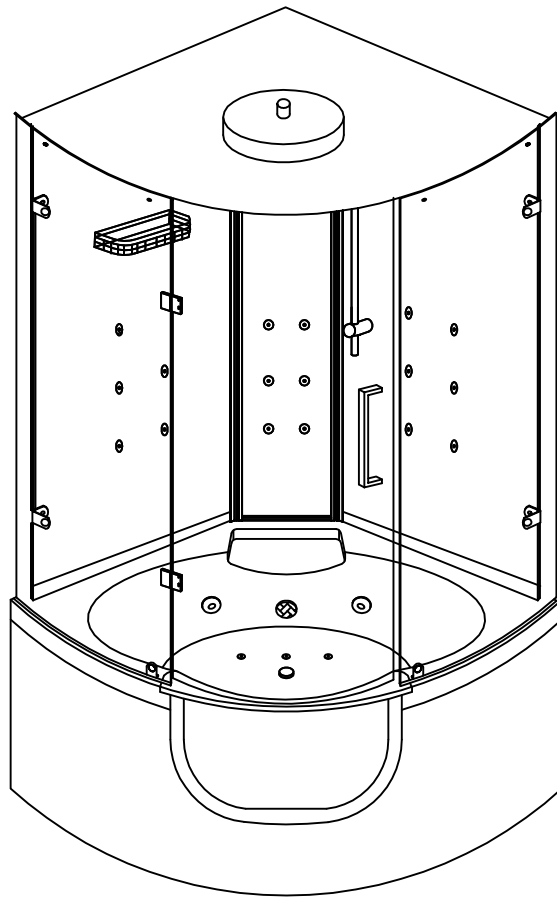
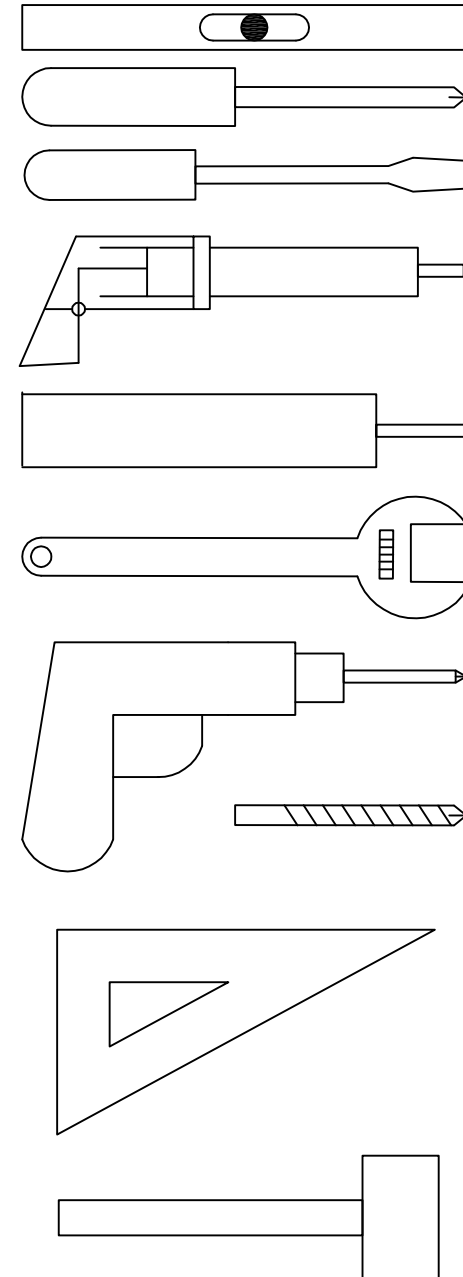


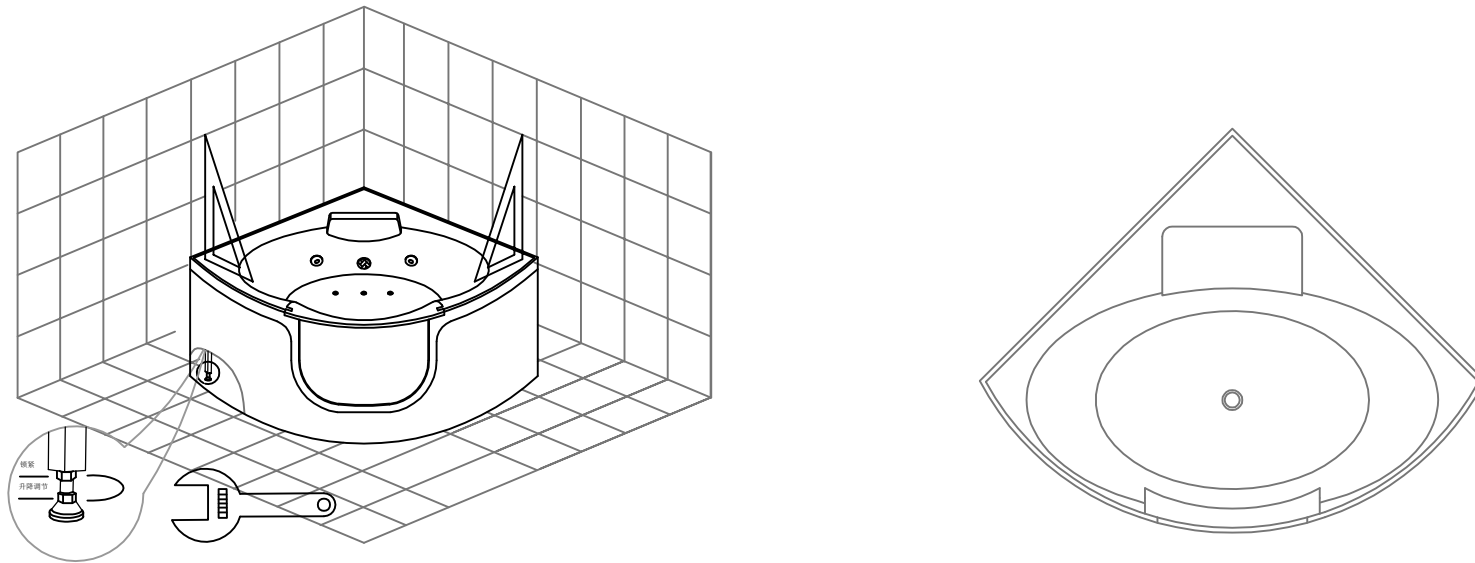
Installation Instruction

WS135/135-1/137/137-1

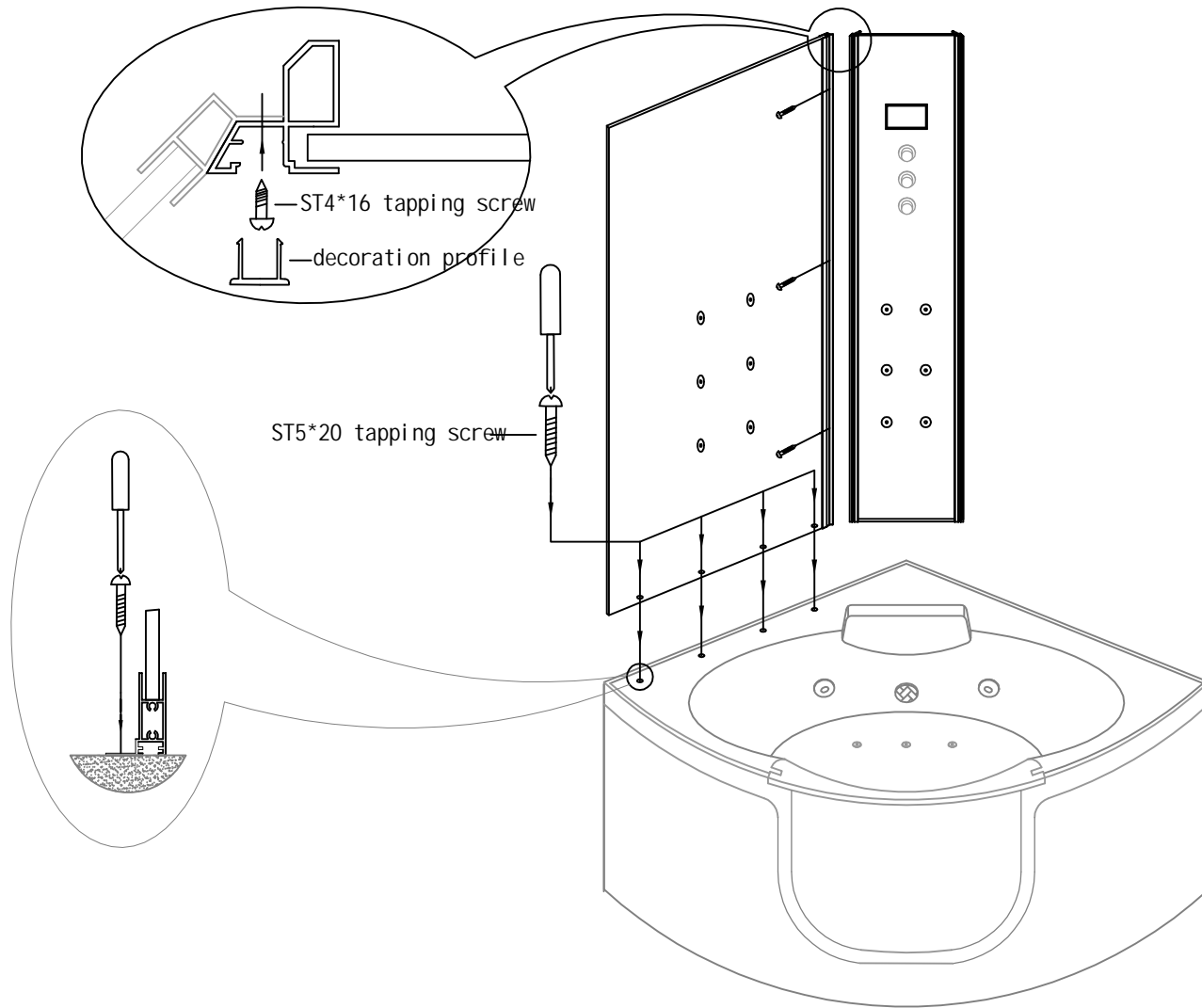


1.Tools:1.Gradienter、 2.Screwdriver、 3.Silicone Gun、 4.Silicone、
5.Spanner、 6.Electric drill、 7.φ9 Aiguille 、 8.Triangle rule、 9.Hammer





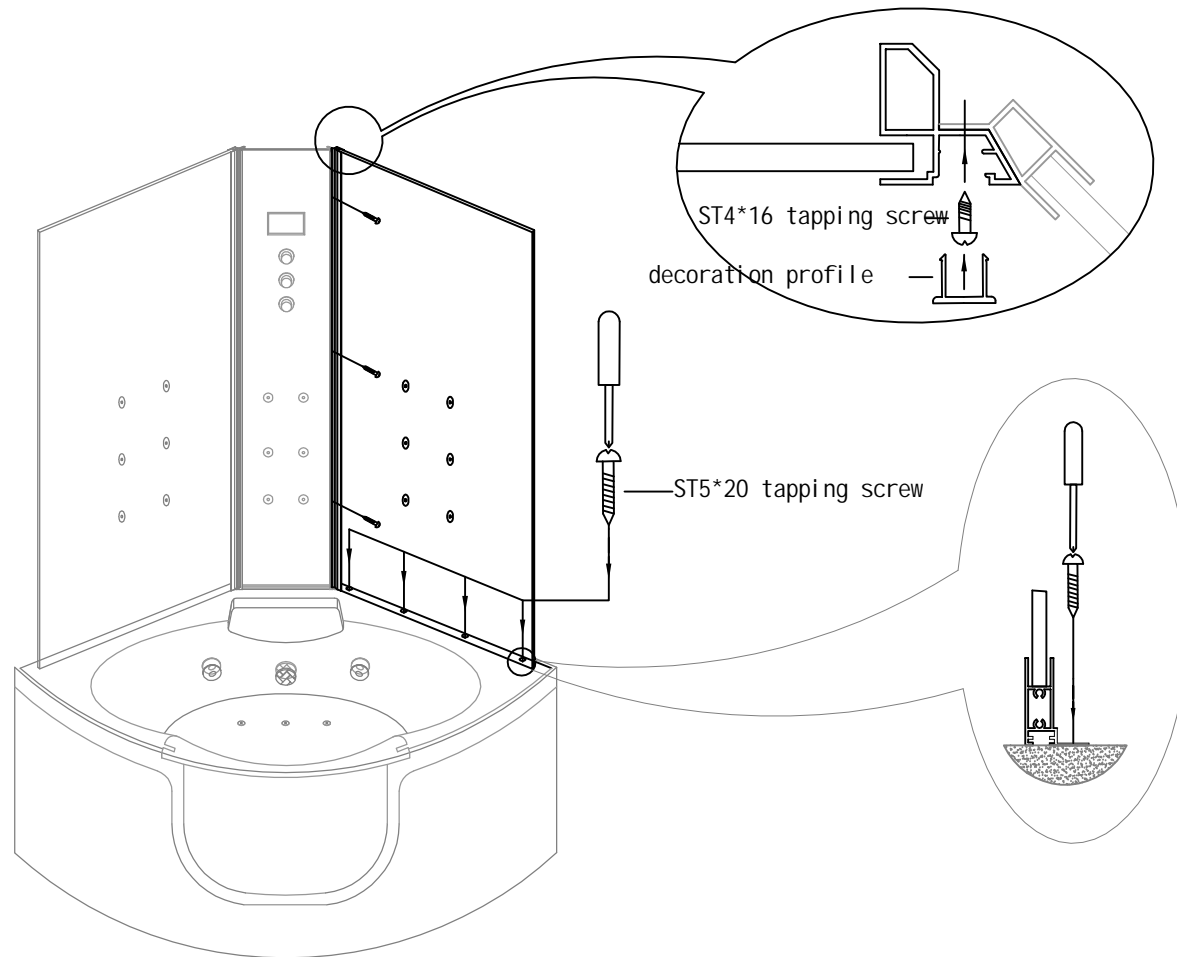
2.Adjust the bathtub:Adjust the feet to make sure the upper surface of the track is vertical with the wall. The upper side of the bathtub shall be level and all the legs shall reach the floor.



3. Install the technical panel and left side backboard. Then fix them on the bathtub with screws.

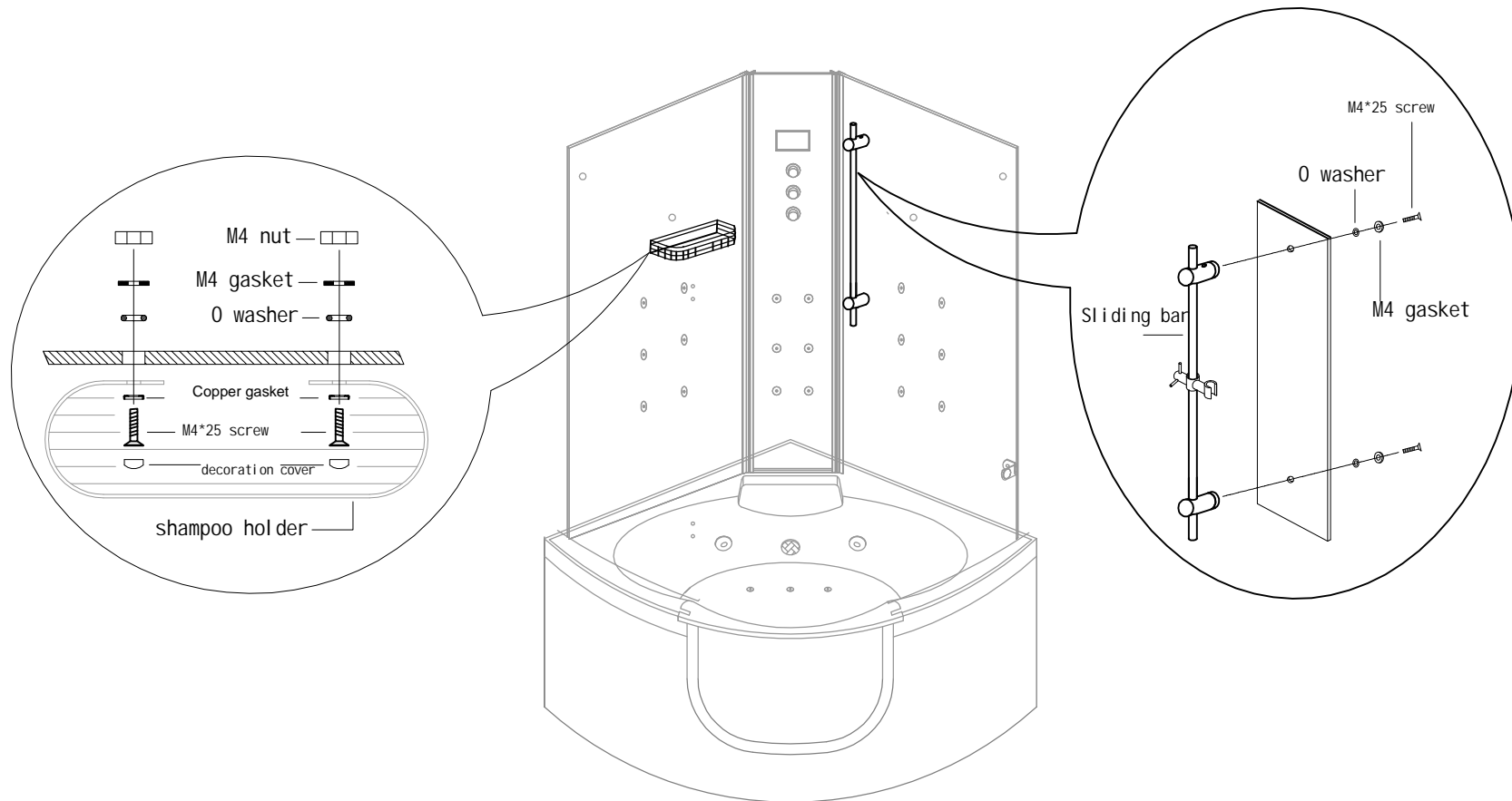
(1) Connect the technical panel and left side backboard with ST4*16 screw;

(2) Connect the left side backboard and the bathtub with ST5*20 screw.

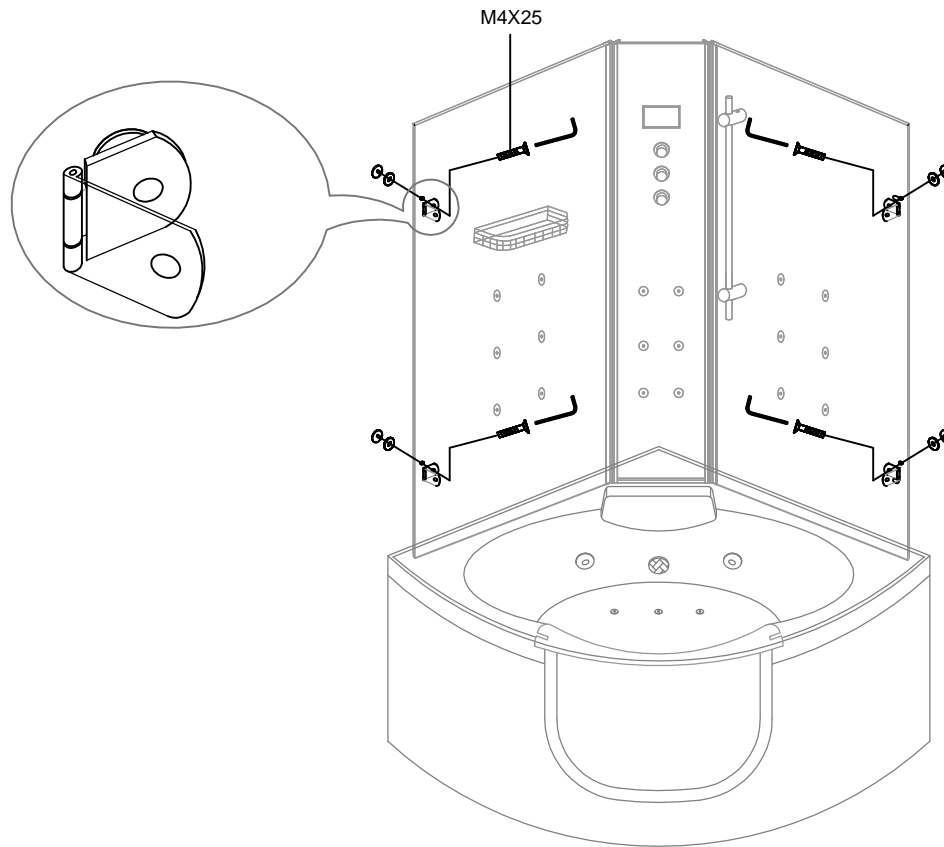


4. Install the right side backboard:

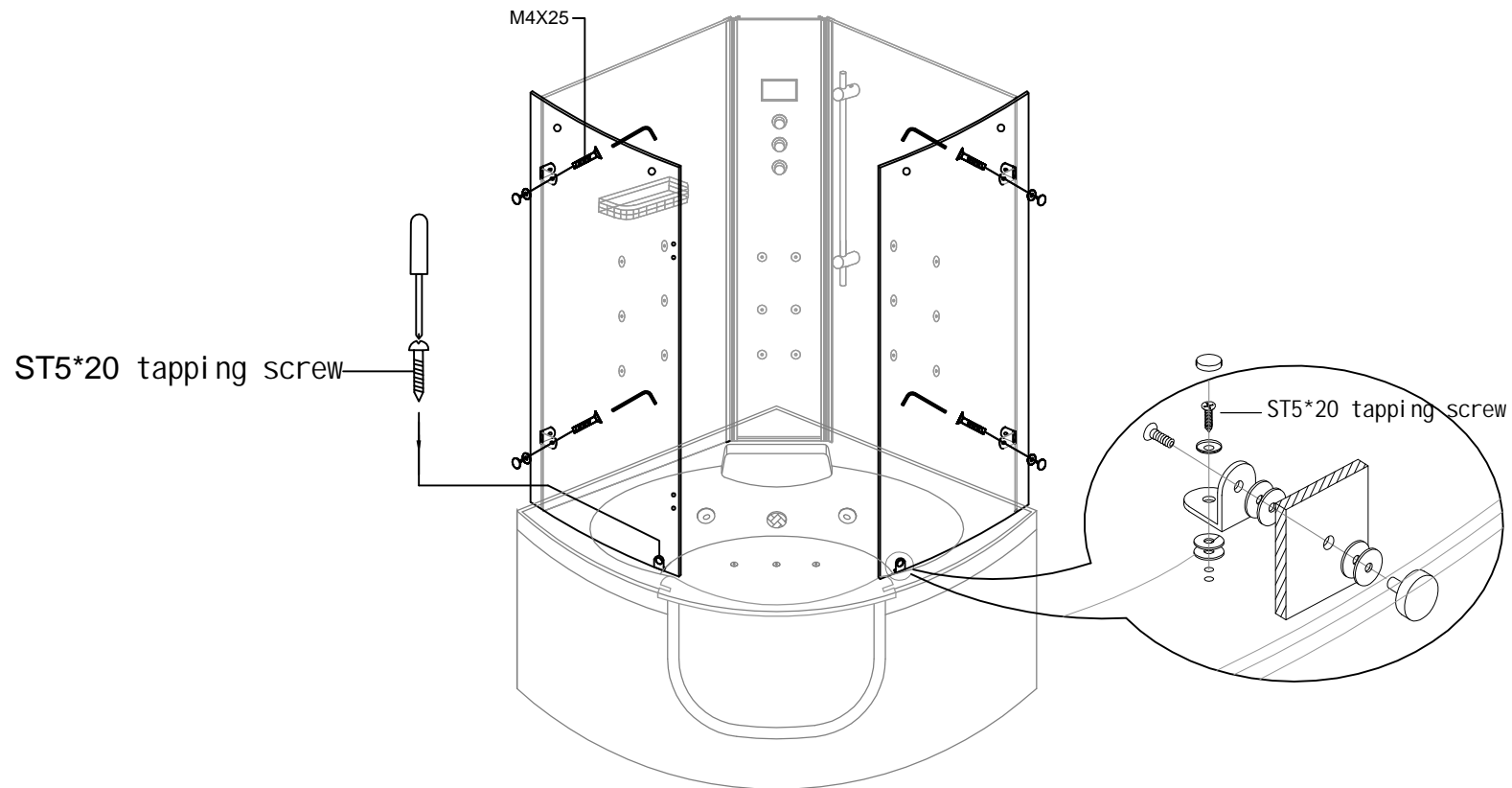
- (1) Fix the technical panel and right side backboard with ST4*16 tapping screw;
- (2) Connect the right side backboard and the bathtub with ST5*20 screw;
- (3) Connect the water pipe according to the number. Then connect the power supply.



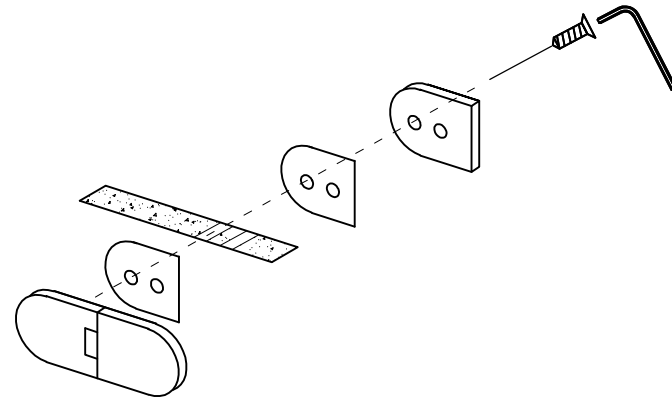
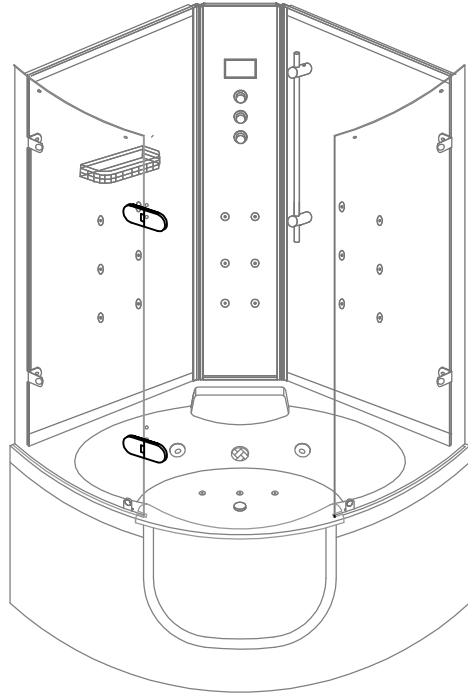
5. Install the sliding bar for hand shower and shampoo holder.



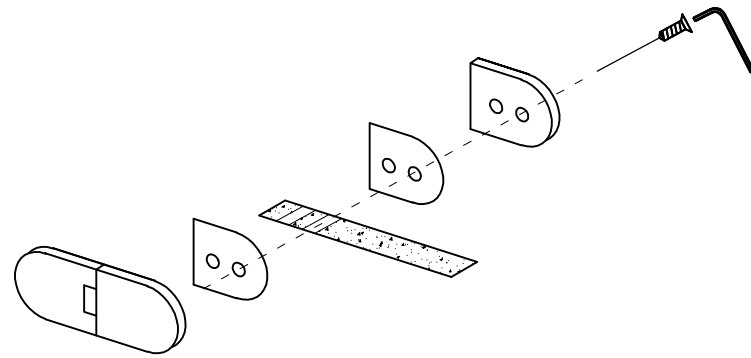
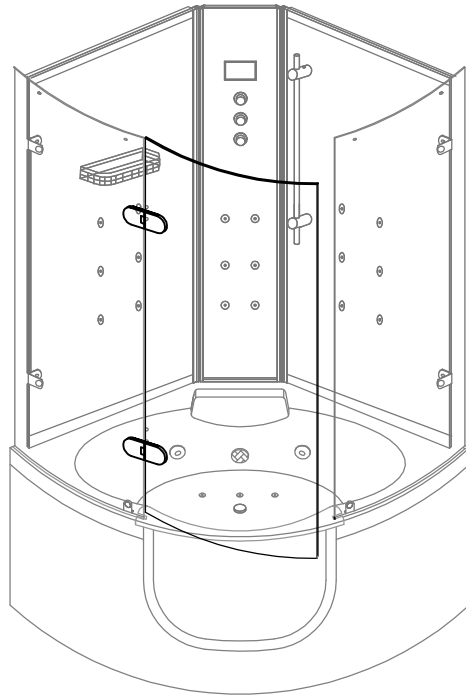
6.Install the connectors on the side backboards.



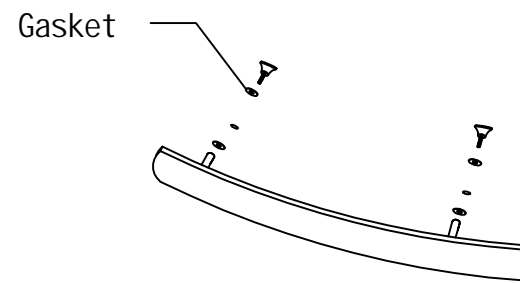
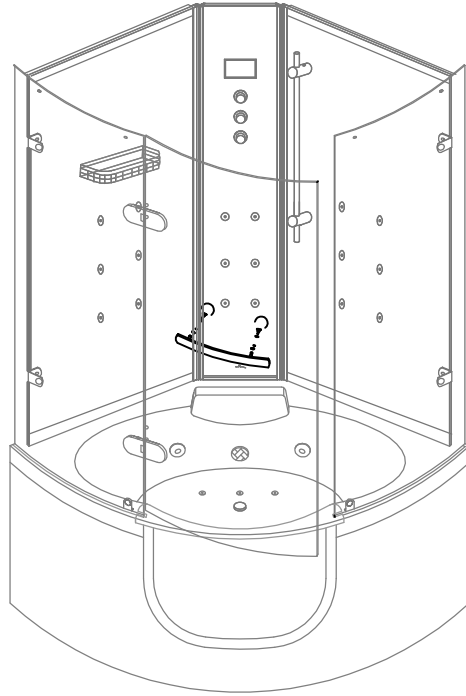
7. Install the fixed glass: Connect the backboards and fixed glass with adjustable hinges. Then connect the fixed glasses with the cabin with bottom connector.



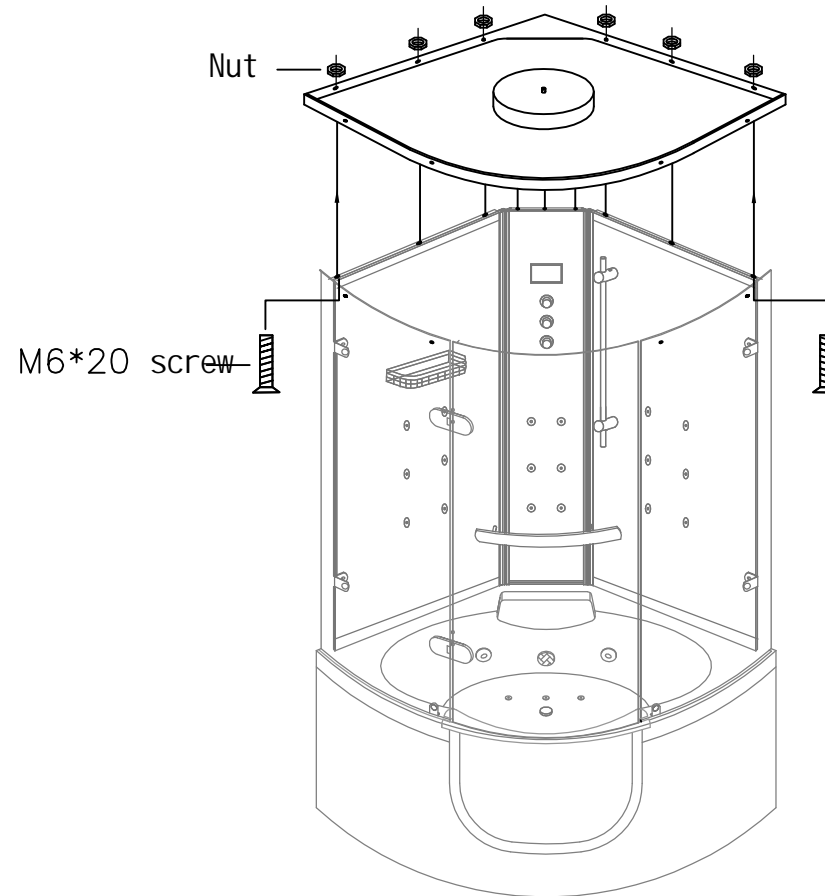
8. Install the hinge on the left side fixed door.



9. Install the movable door.



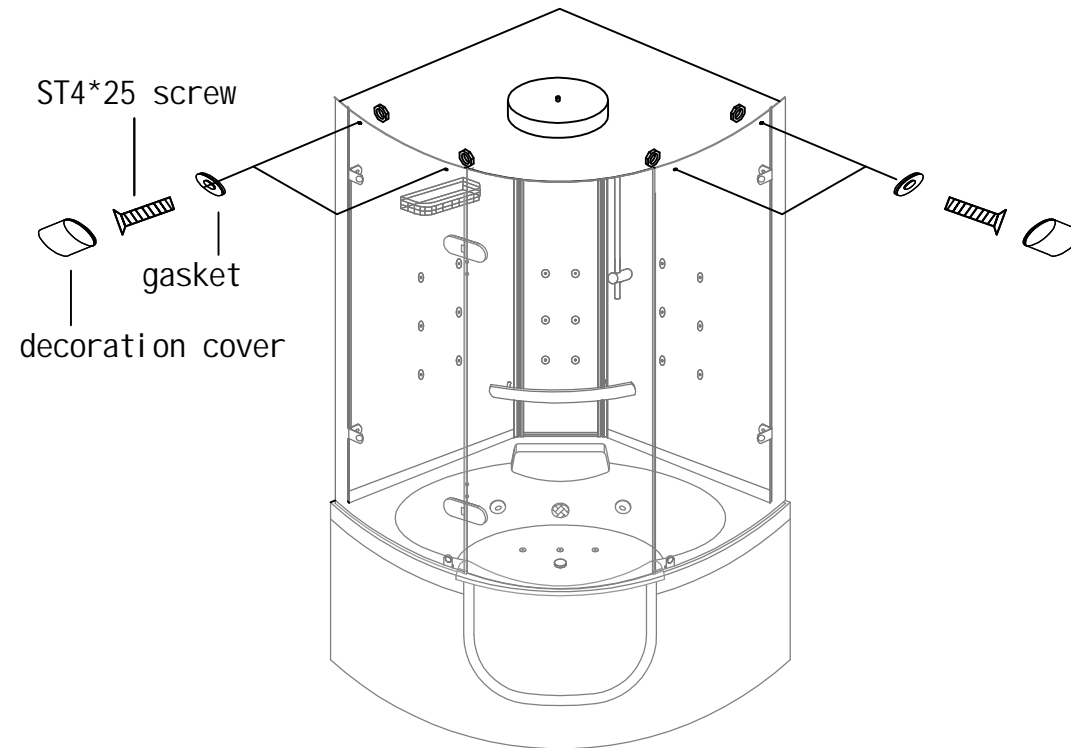
10. Install the door handles for movable door.



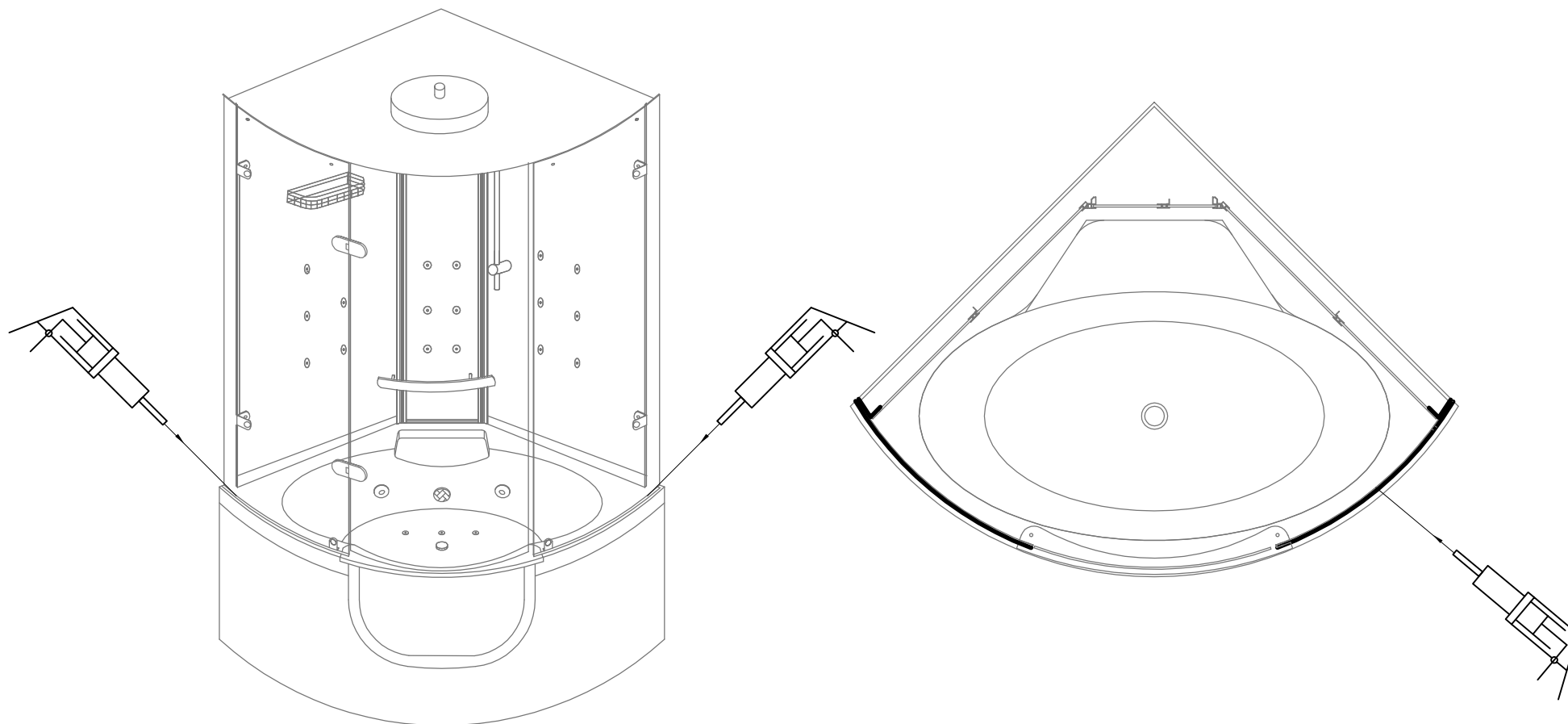
11. Install the roof:

(1) Fix the roof on the backboard with M6*20 screw.

(2) Connect the water pipe according to the number. Then connect the power supply.



12. Fix the roof on the front glass with nut+ gasket M4*25 screw.



13. Installation finished. Apply silicone on the necessary position. Connect the power supply, water supply, floor drain, ground wire and then push the cabin to the corner. Don't use the cabin until the silicone is dry.