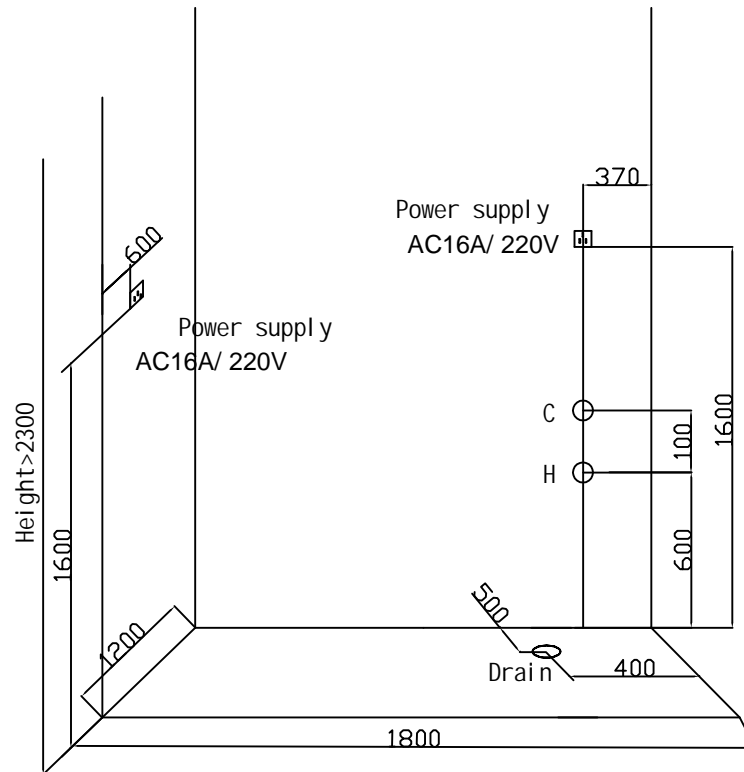
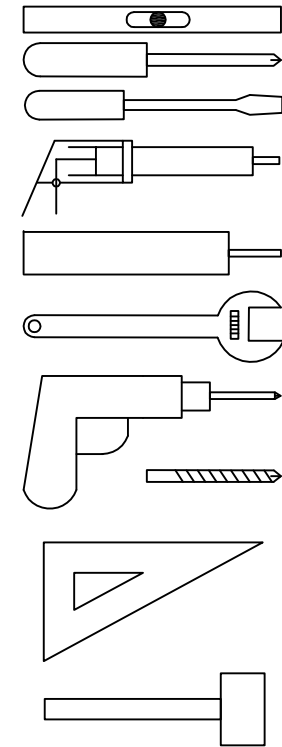
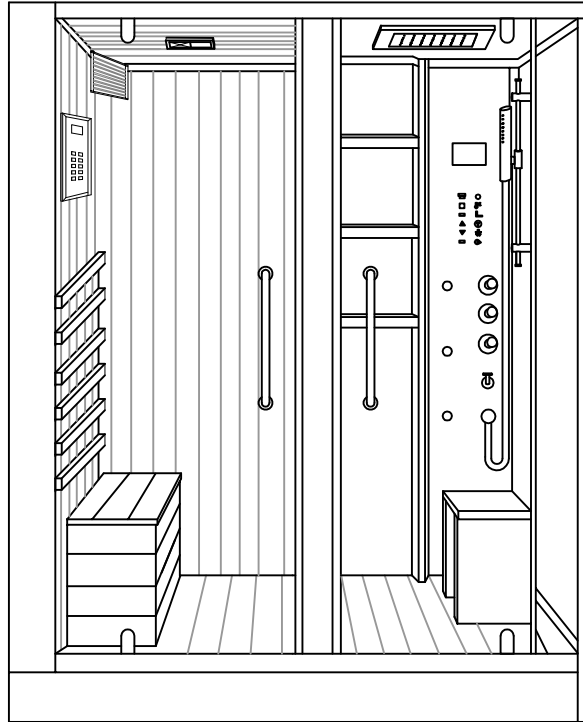


Installation Instruction

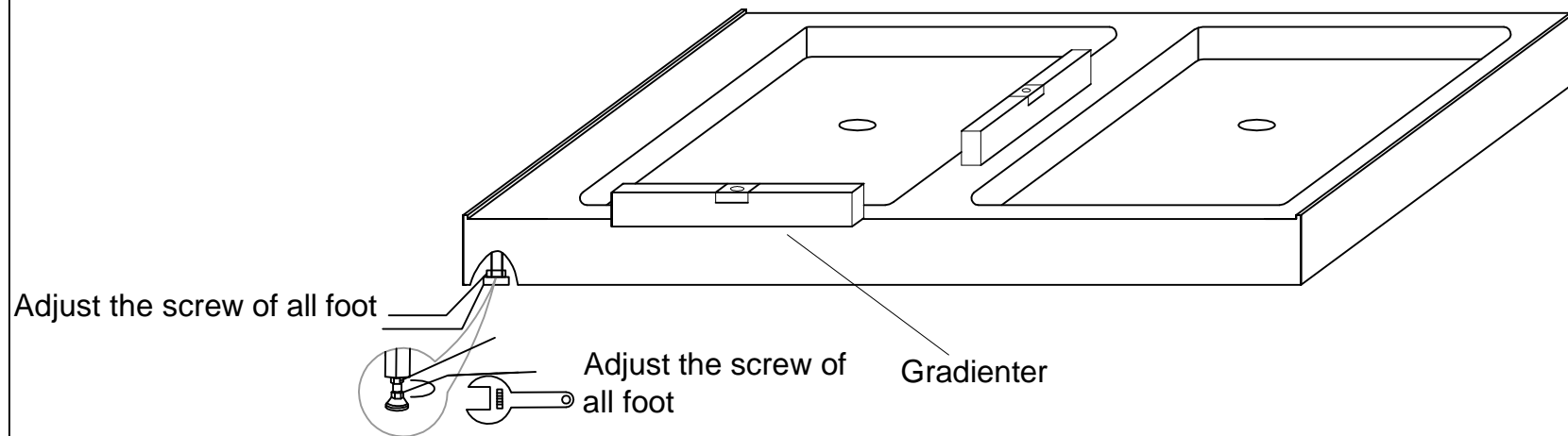
ICT1812L



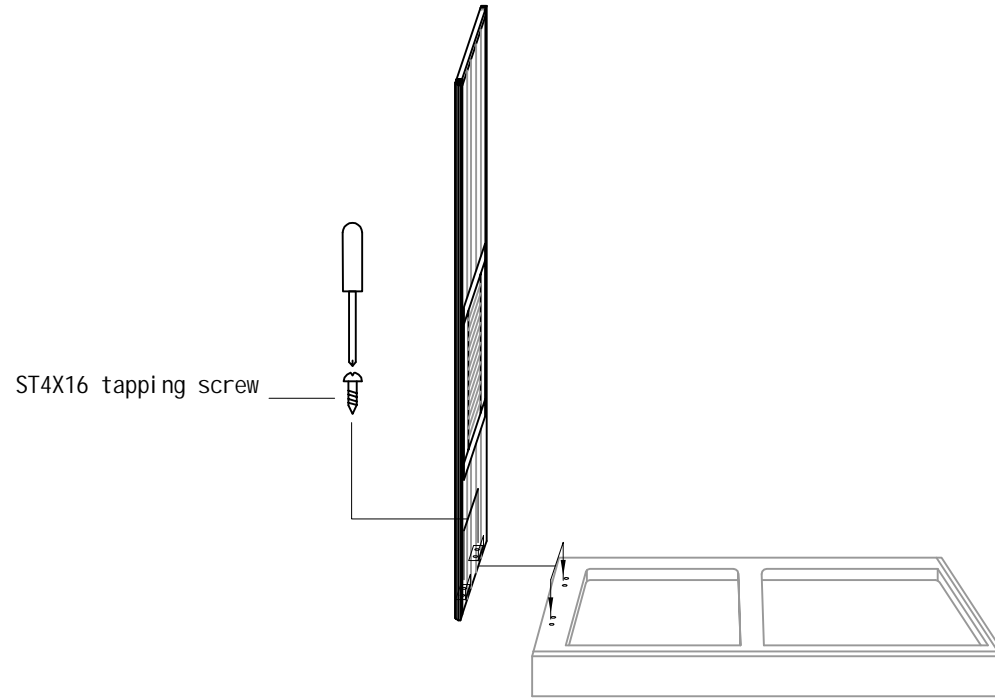
1. Connect the water and power supply. (ICT1812L)



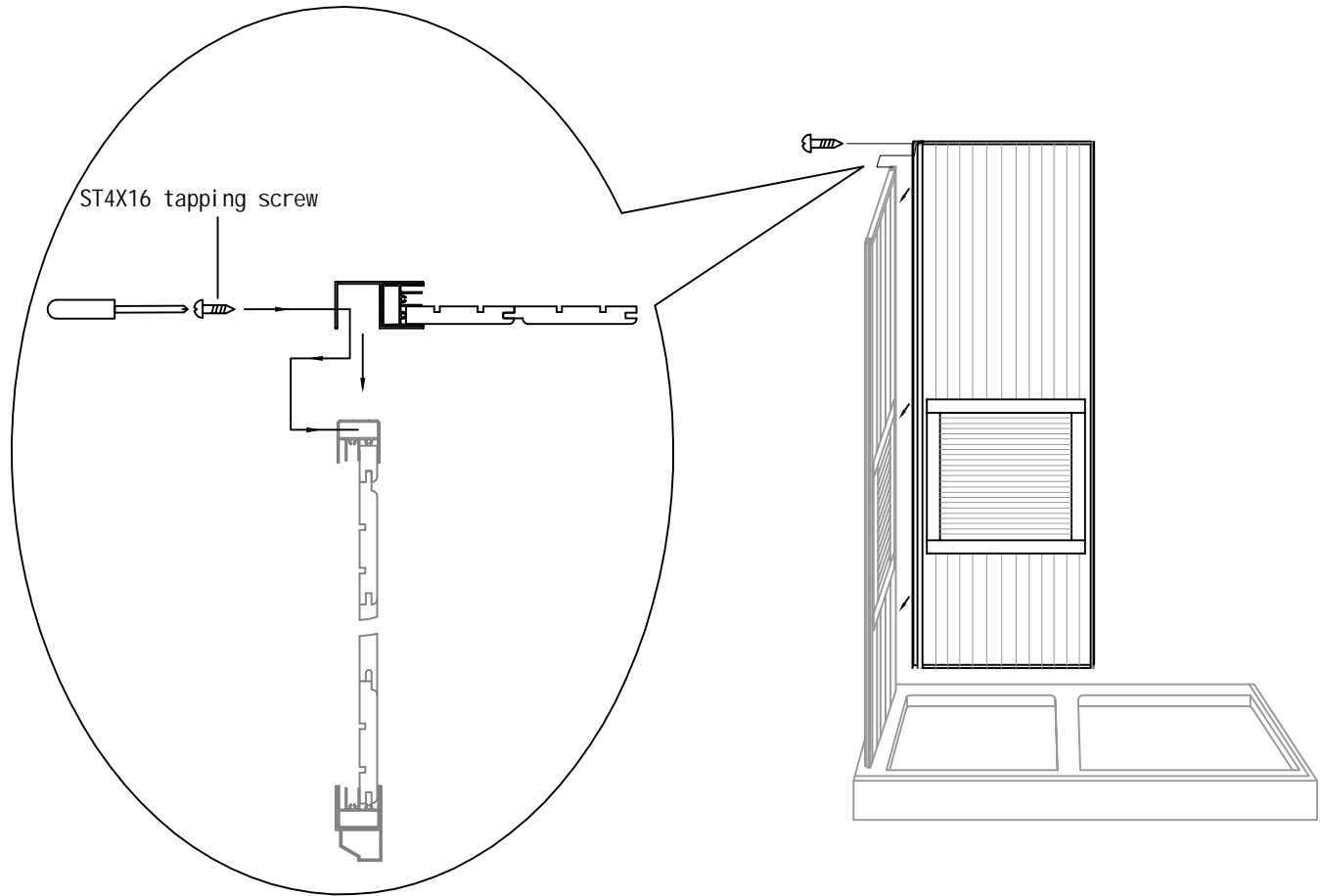
1.Tools:1.Gradienter、2.Screwdriver、3.Silicone Gun、4.Silicone、
5.Spanner、6.Electric drill、7.φ9 Aiguille、8.Triangle rule、9.Hammer



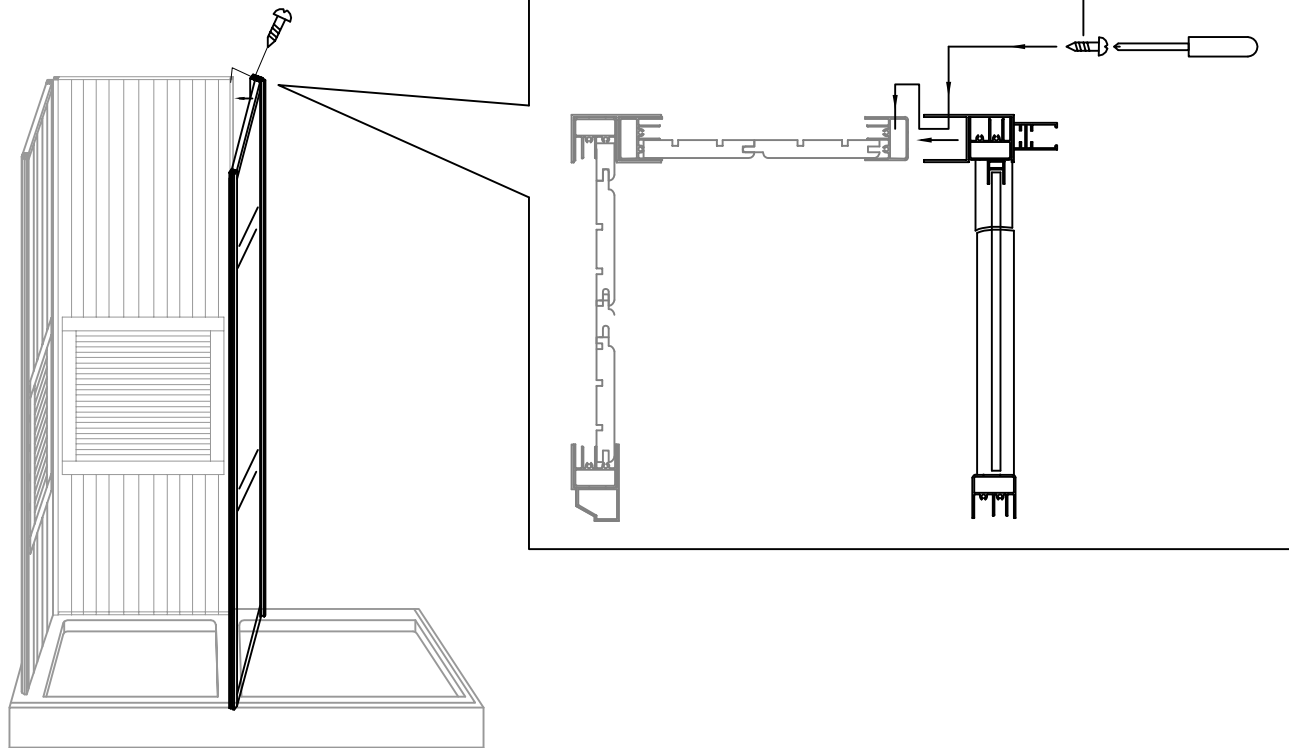
3.Adjust the shower tray: Adjust the shower tray to make sure the upper surface of the track is vertical with the wall. The upper side of the shower tray shall be level and all the legs shall reach the floor.



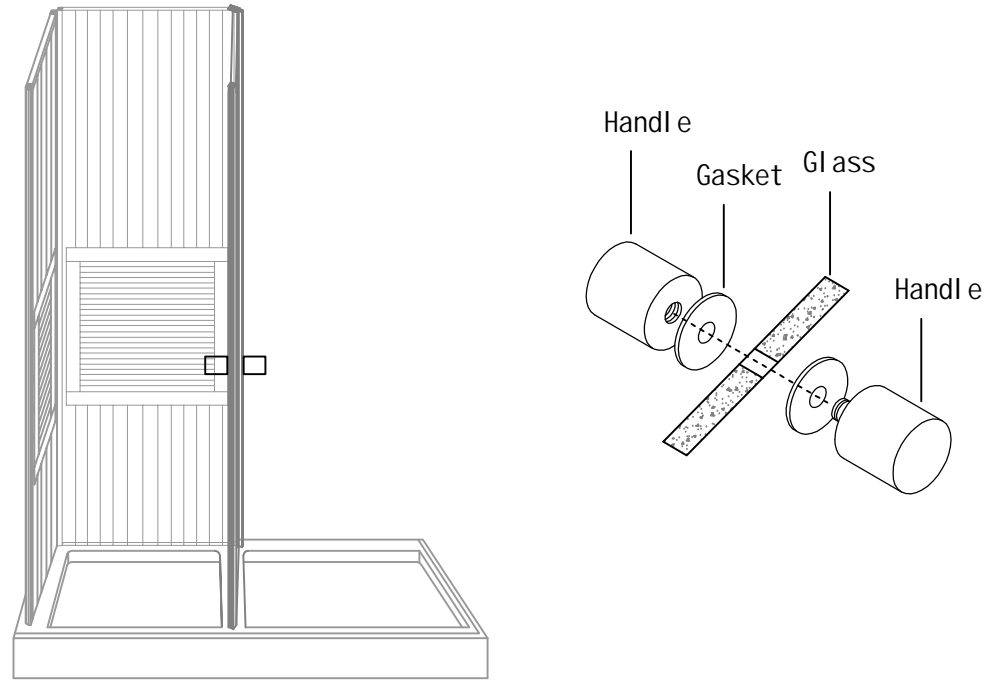
4. Install the side sauna board.



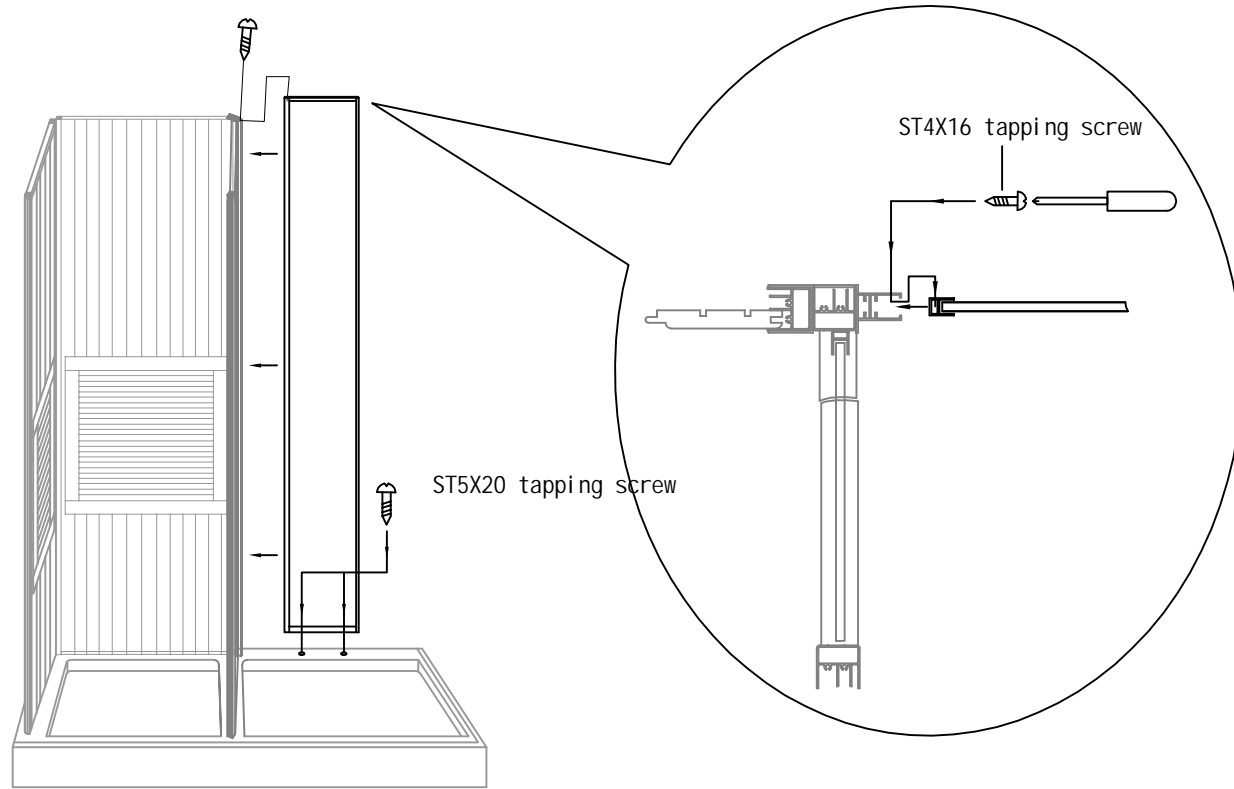
5. Install the back sauna board



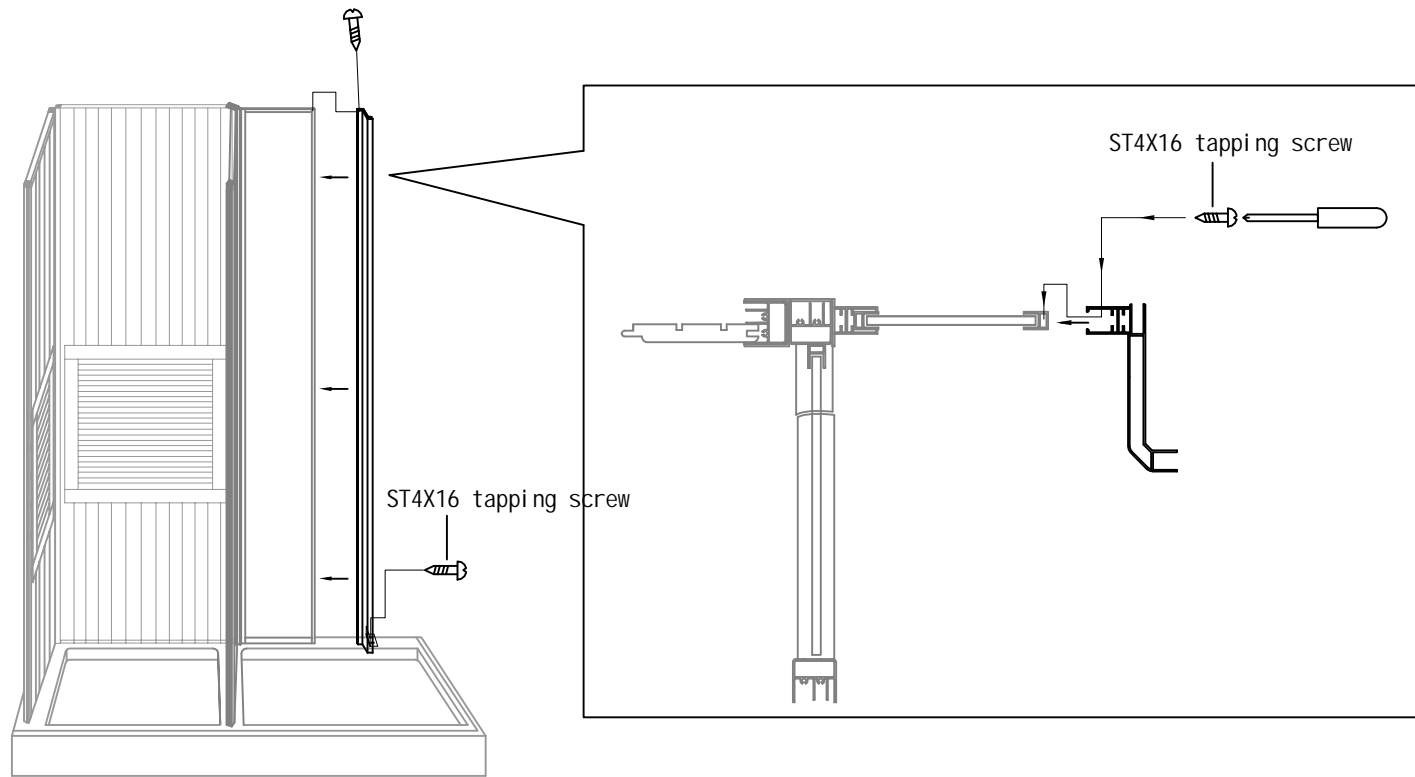
6.Instal the sliding door.



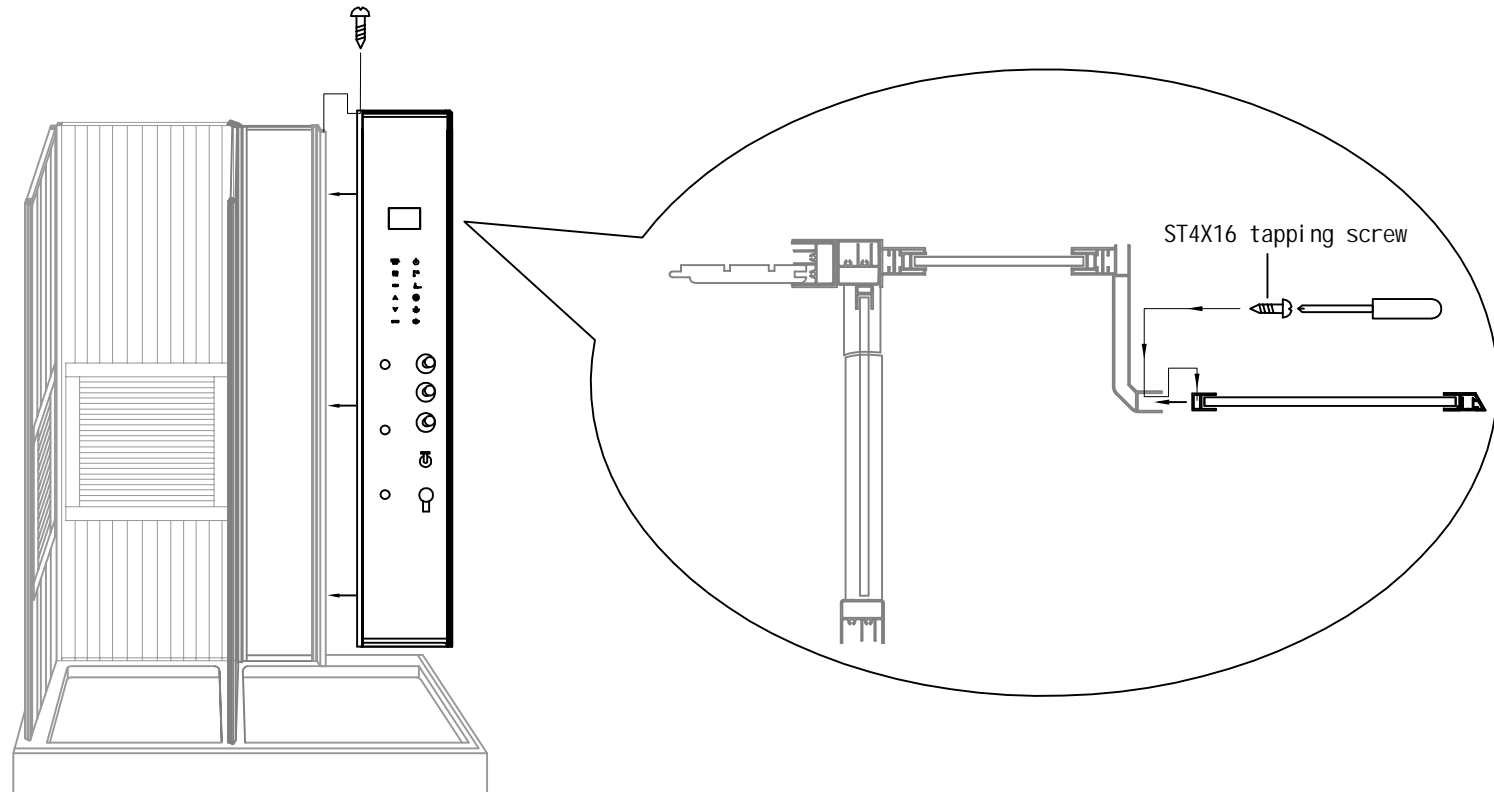
7.Install the handle of the sliding door.



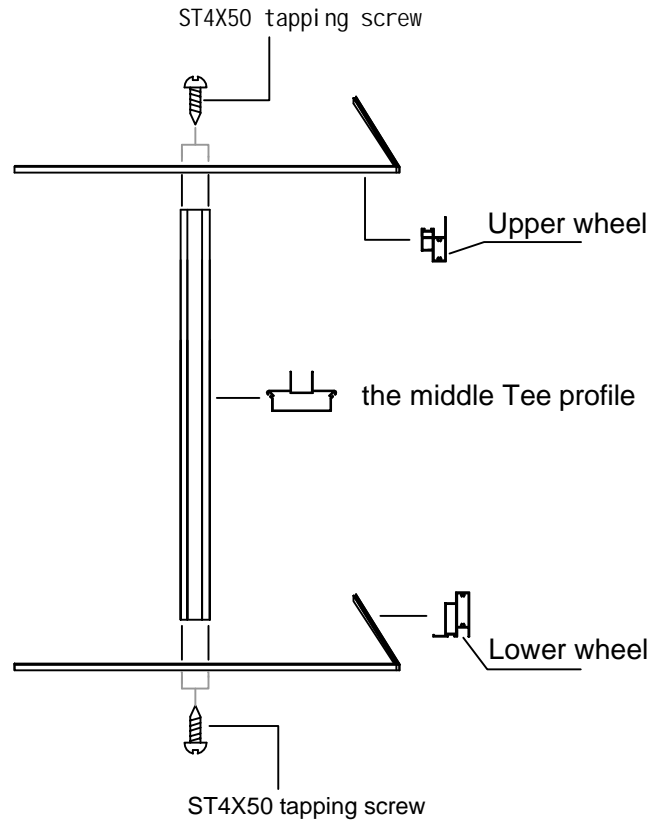
8. Install the glass with shampoo holder.



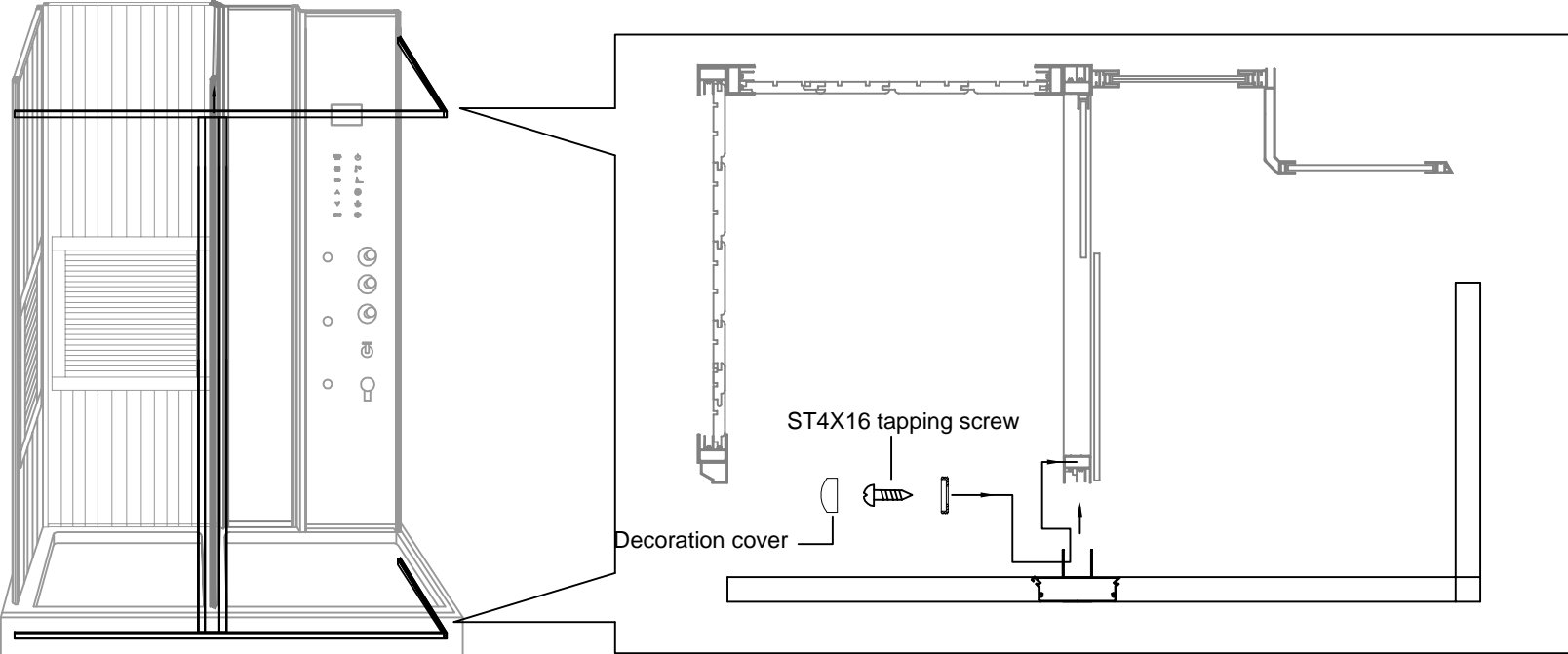
9. Install the corner aluminum profile of the steam cabin.



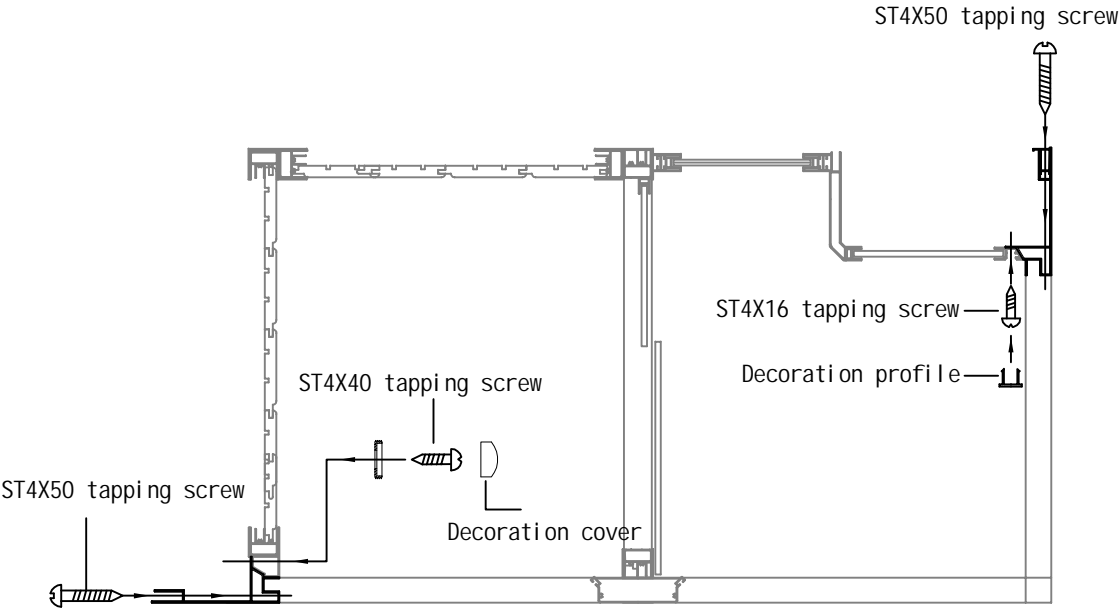
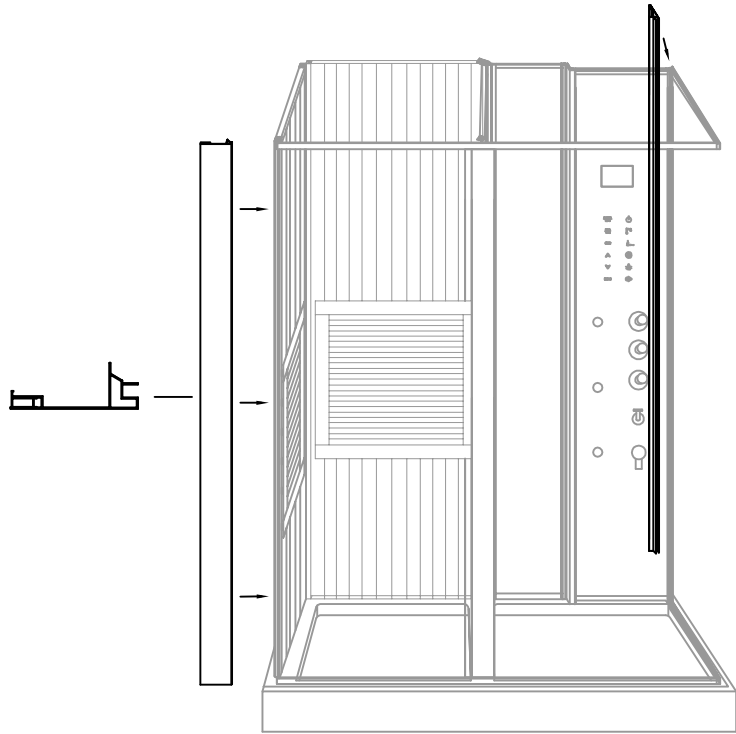
10. Install the technical panel of the steam cabin (Insert the steam engine waste water pipe into the drain).



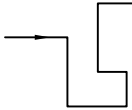
11.Assemble the top and bottom corner profiles and the middle Tee profile.

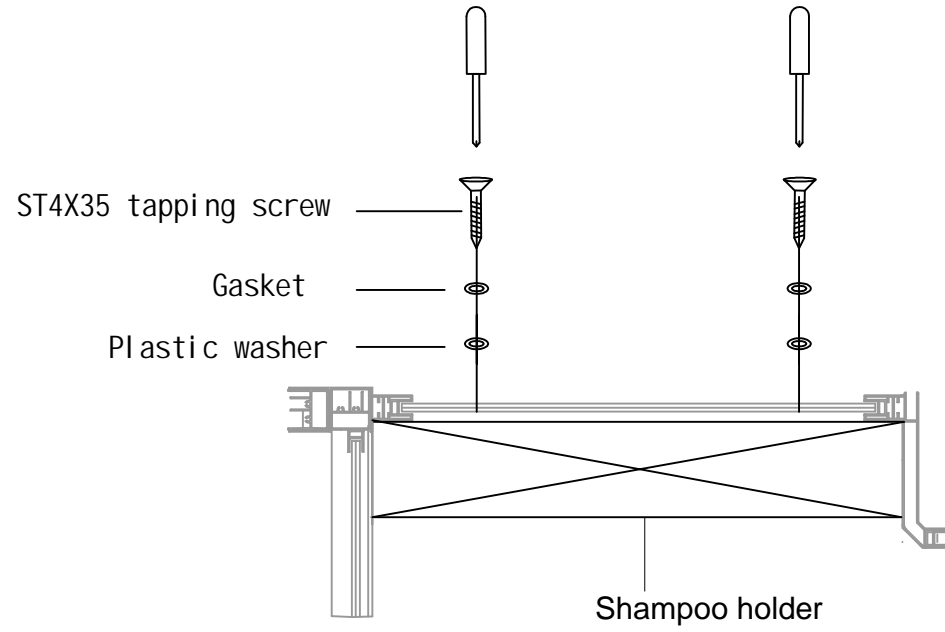
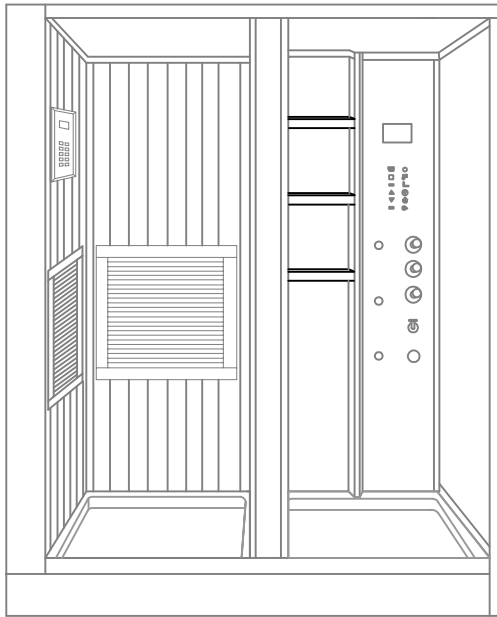


12. Install the frame.

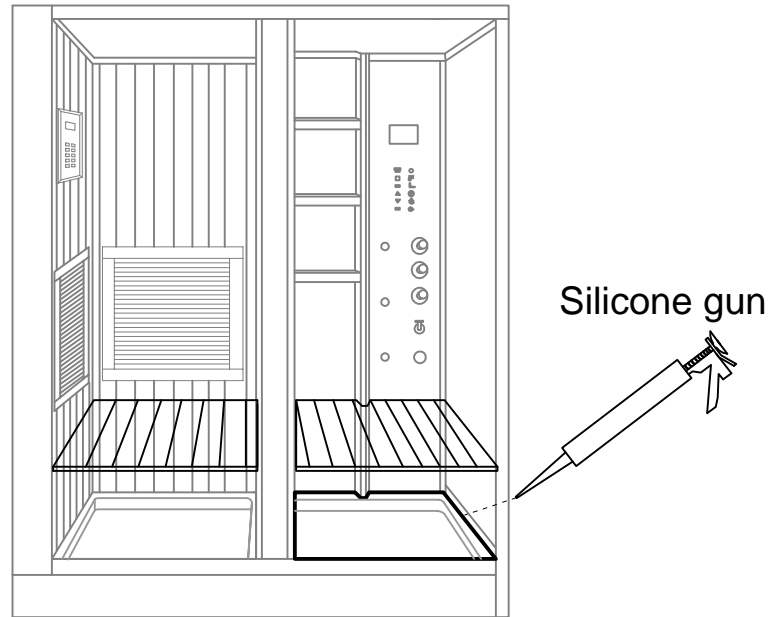


13. Install the 09 decoration profile of steam and sauna cabin.

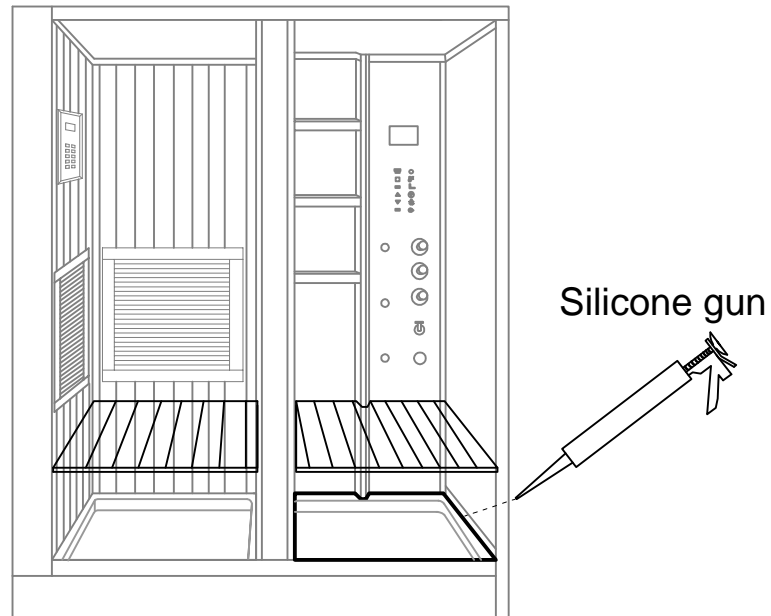




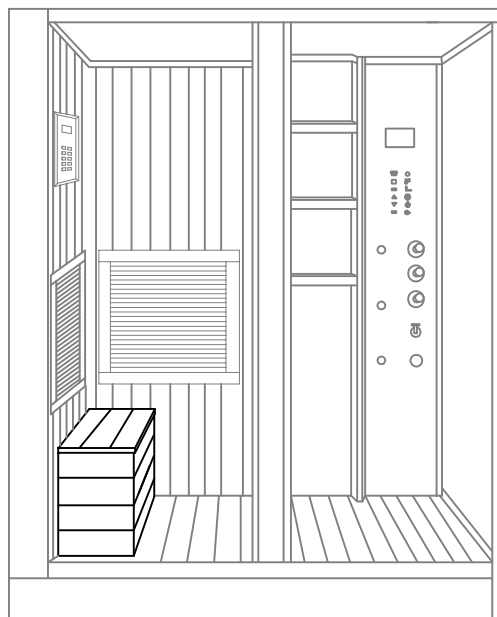
14. Install the shampoo holder.



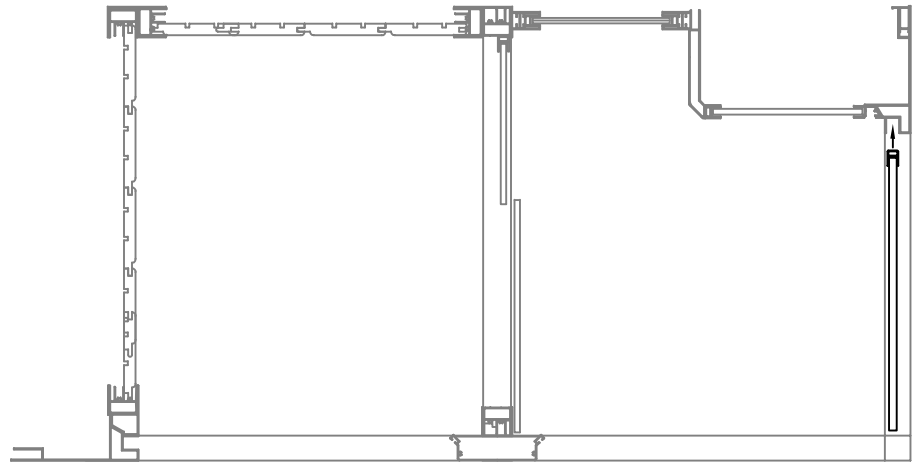
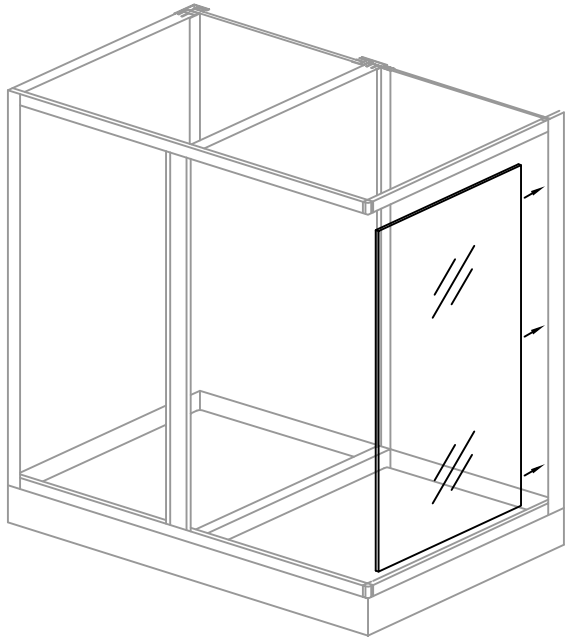
15. Apply silicone on the bottom of steam cabin and then put the shower grid into the cabin.



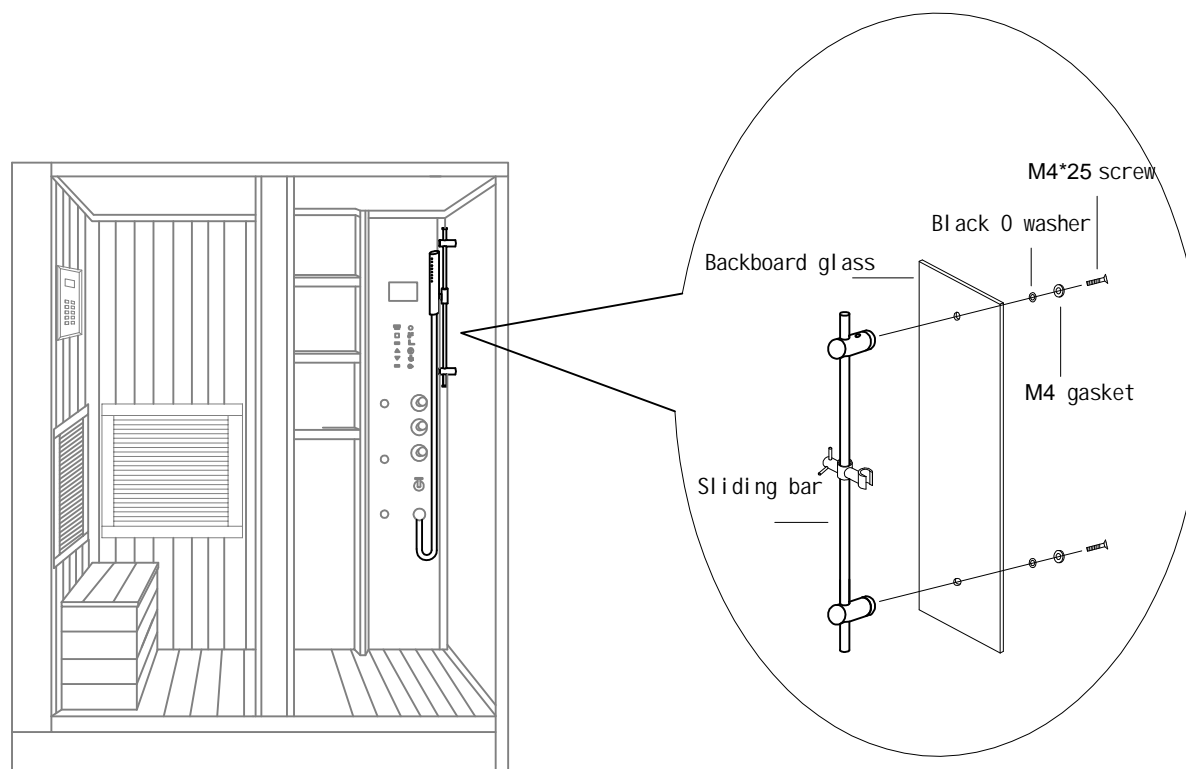
15. Apply silicone on the bottom of steam cabin and then put the shower grid into the cabin.



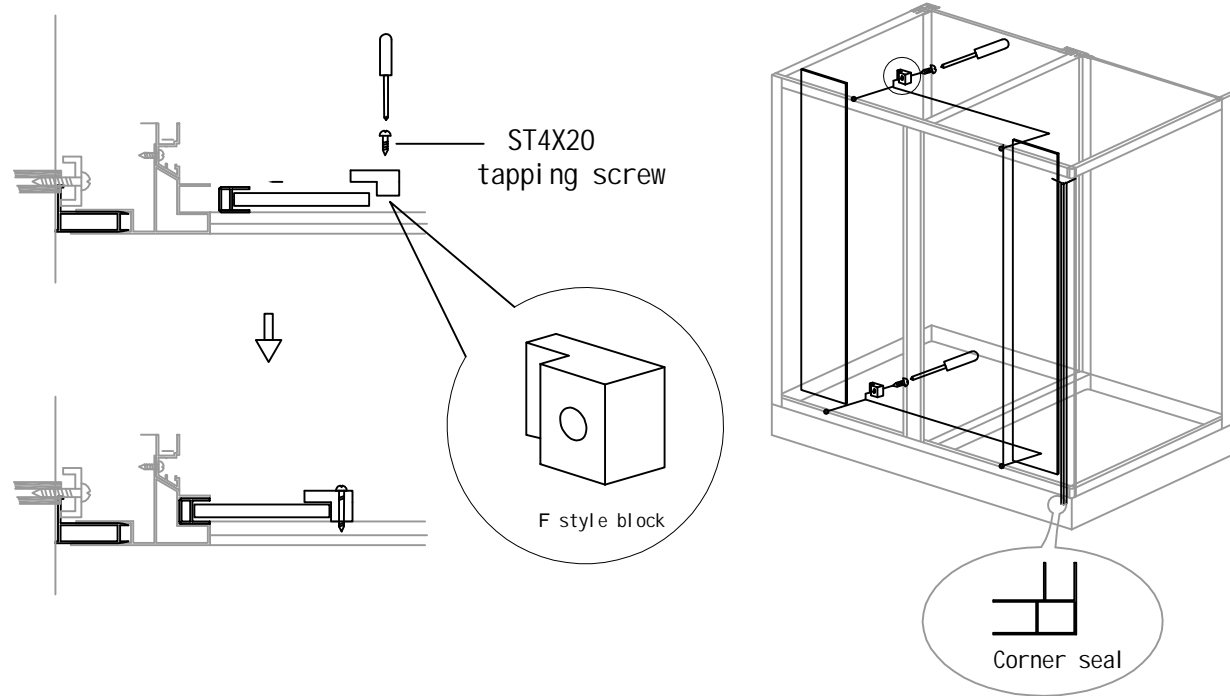
16. Install the seat of sauna cabin (Connect the power wire).



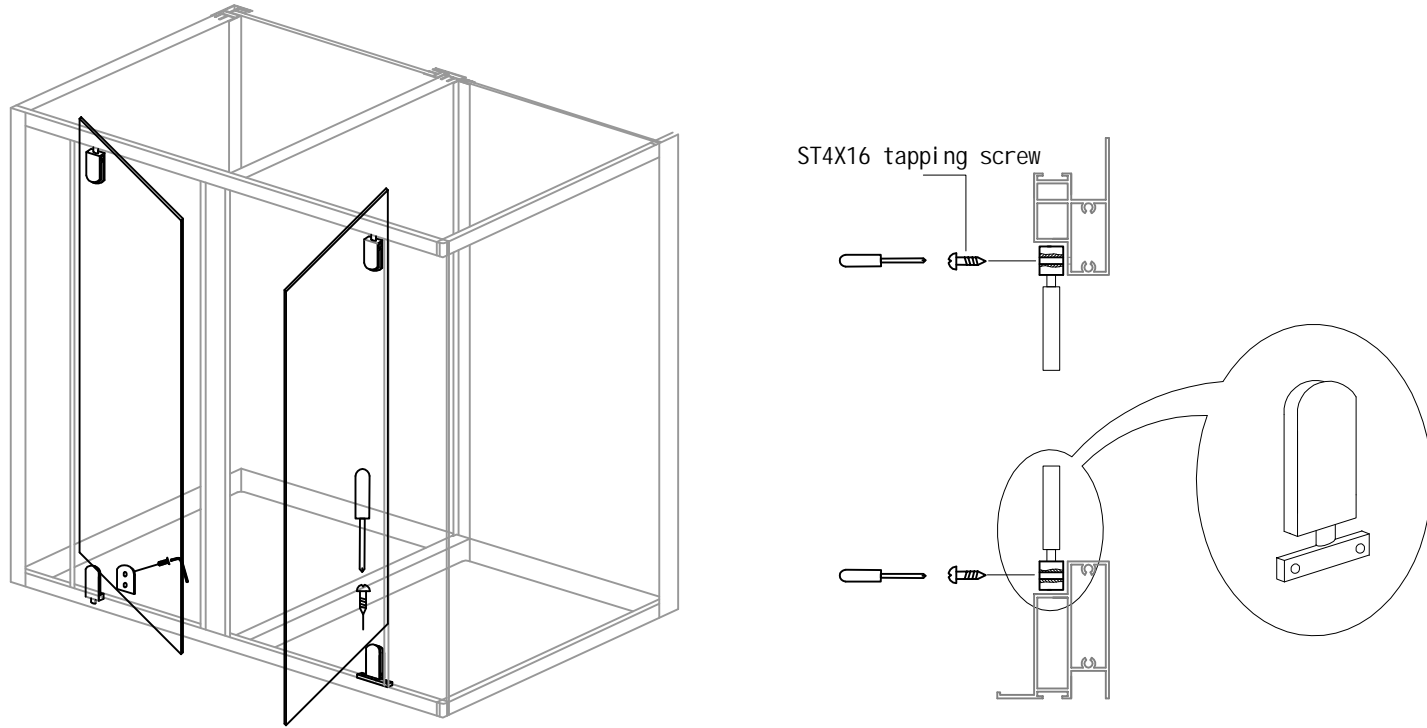
17. Install the front fixed glass of steam cabin.



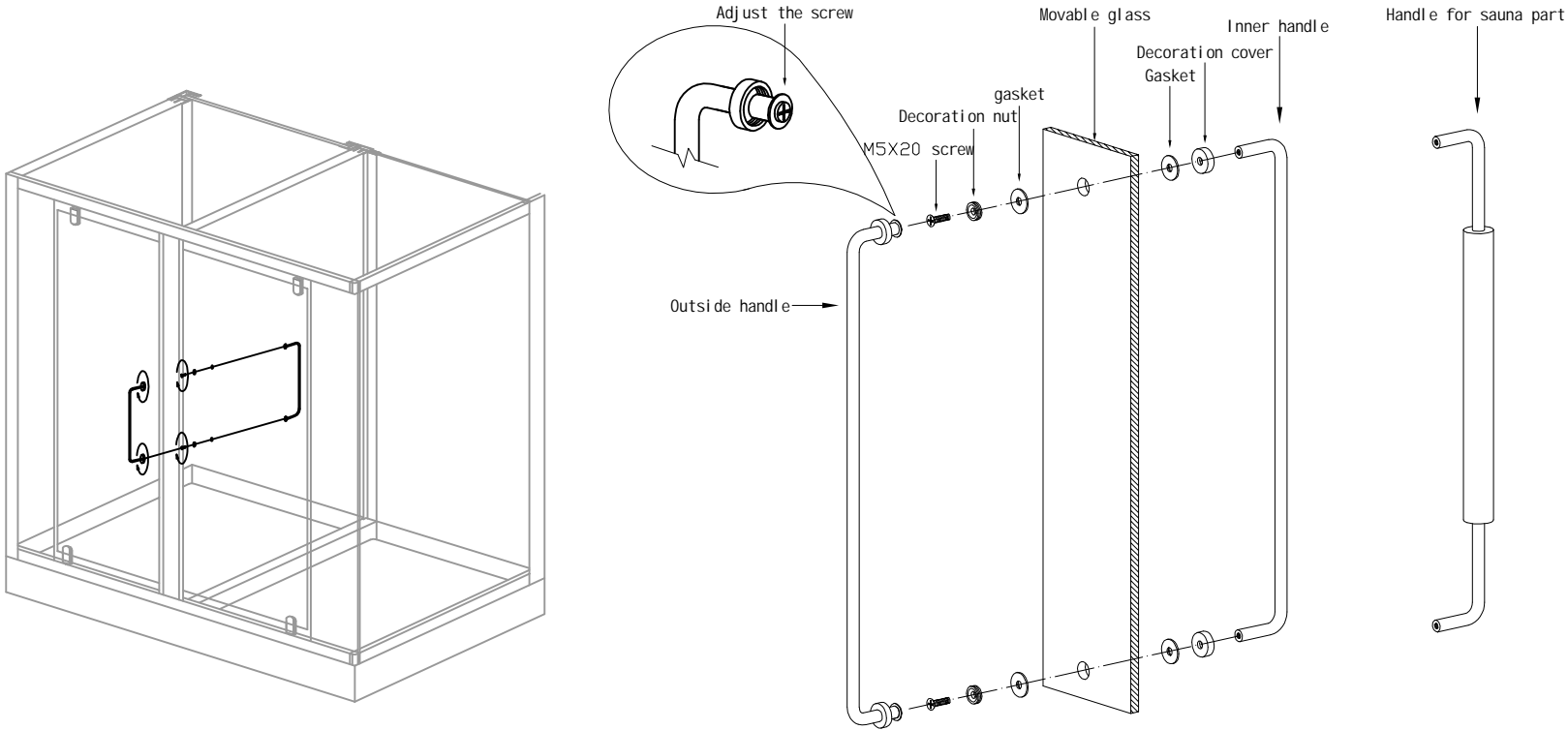
18. Install the sliding bar and hand shower.



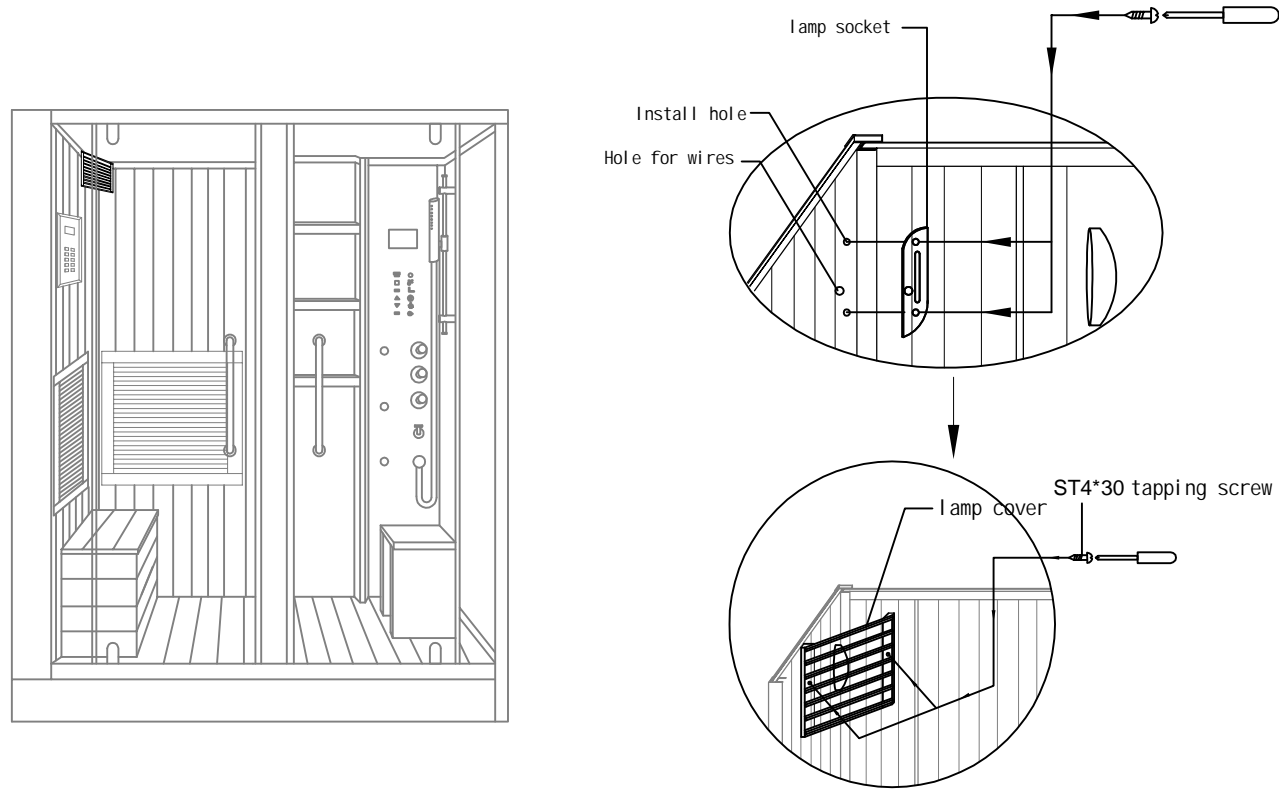
19. Install the fixed glass of the cabin.



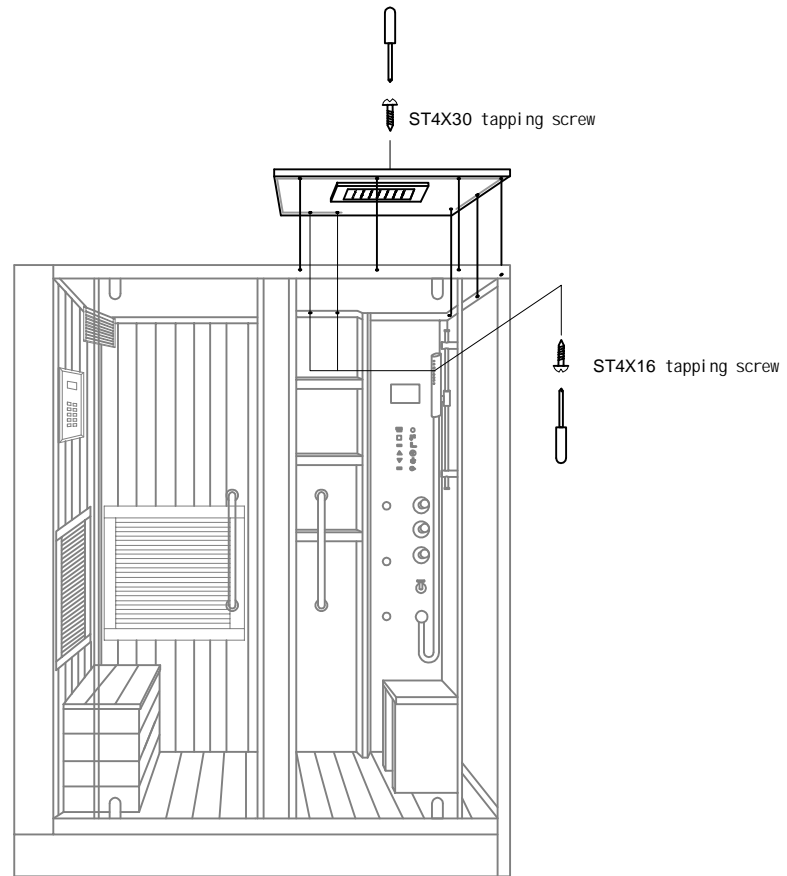
20. Install the pivot on the movable glass and then install the movable door and seals.



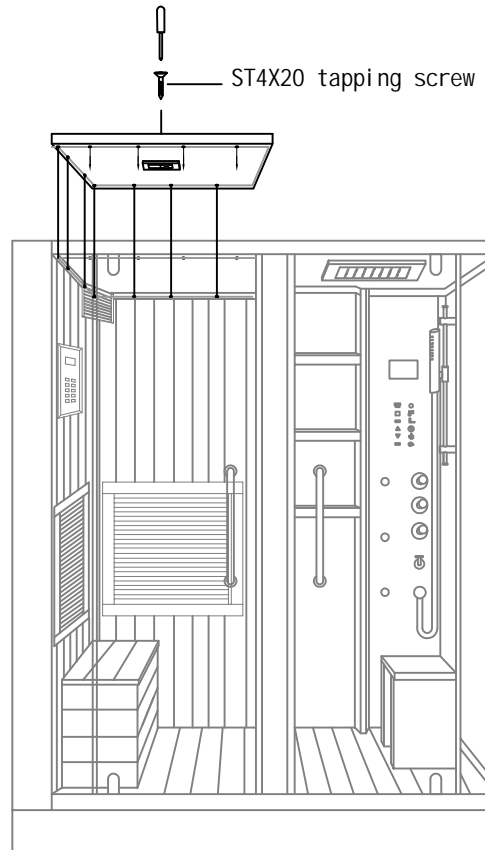
21. Install the door handles.



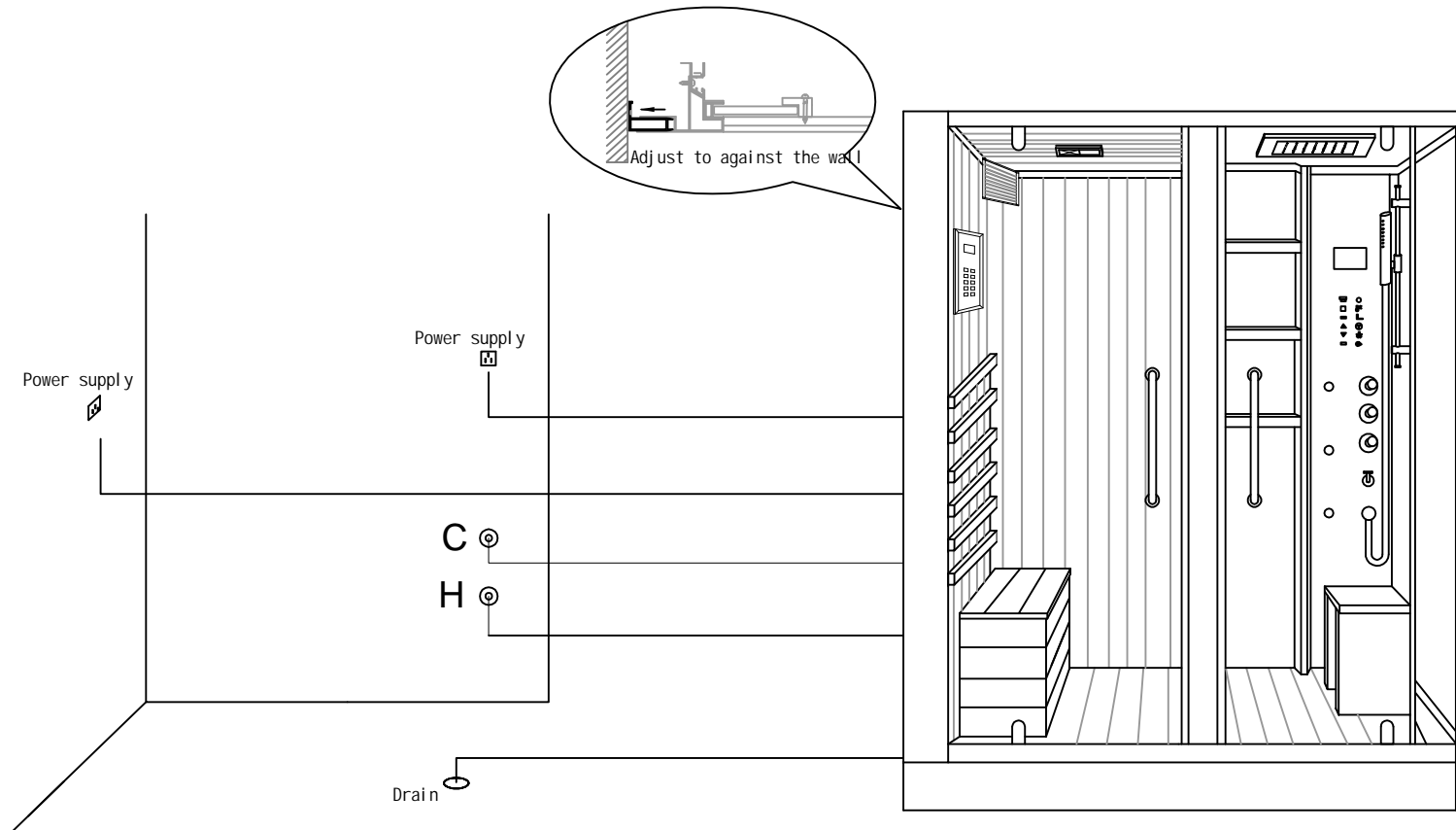
22. Install the lamp and cover.



23. Install the roof of steam cabin (Pay attention to the water pipe and electric wire connection).



24. Install the roof of sauna part(Pay attention to the electric wire connection).



25. Connect the power supply, water supply, floor drain, ground wire and then push the cabin to the corner.